




PURCHASING DEPARTMENT

Madison County Board of Supervisors
146 West Center Street
Canton, MS 39046 / 601-855-5534
kesha.buckner@madison-co.com

September 8, 2020

To: Board of Supervisors
From: Kesha Buckner, Purchasing Clerk 
Subject: Reject Commodity Proposal

Attached are copies of recently opened commodity term proposals. G&O Supply submitted a proposal electronically on 610 unwashed limestone, but proposed a product that does not meet required specifications. I recommend that the Board take the following actions:

1. Acknowledge all proposals submitted;
2. Reject G&O Supply proposal for not meeting specifications.

A reverse auction for these commodities will be held, Wednesday, September 9, 2020 at 10 a.m.

Thank you in advance for your consideration of the above recommendations.

Create New Bid

View Pending Bids

View Open Bids

View Closed Bids

View Public Log

Bid System Log

Permissions

Current Time: 09-04-2020 08:49:52 am

Show 10 entries

Search:

ID	Name	Phone	Email	Company Name	Date Submitted	View Bid
2402	Terry May	(601) 376-4000	john.may@apac.com	APAC-Mississippi INC	08-12-2020 09:34:34 am	View Bid
2406	Terry May	(601) 376-4000	john.may@apac.com	APAC-Mississippi, INC	08-12-2020 10:02:38 am	View Bid

Showing 1 to 2 of 2 entries

[Previous](#) 1 [Next](#)

Create New Bid

View Pending Bids

View Open Bids

View Closed Bids

View Public Log

Bid System Log

Permissions

Current Time:

Show entries

Search:

ID	Name	Phone	Email	Company Name	Date Submitted	View Bid
2403	Terry May	(601) 376-4000	john.may@apac.com	APAC-Mississippi, INC	08-12-2020 09:40:11 am	View Bid
2407	Terry May	(601) 376-4000	john.may@apac.com	APAC-Mississippi, INC	08-12-2020 10:04:14 am	View Bid

Showing 1 to 2 of 2 entries

[Previous](#) 1 [Next](#)

Resolution Commission Archives Planning and Zoning Bid Tool Email Manager Help Bid Tool

Create New Bid

View Pending Bids

View Open Bids

View Closed Bids

View Public Log

Bid System Log

Permissions

Current Time: 09-04-2020 08:50:35 am

Show entries

Search:

ID	Name	Phone	Email	Company Name	Date Submitted	View Bid
2429	Teresa Purifoy	(601) 933-3387	teresa.purifoy@ergon.com	Ergon Asphalt & Emulsions, Inc.	08-28-2020 09:13:25 am	View Bid

Showing 1 to 1 of 1 entries

[Previous](#) 1 [Next](#)

Mississippi Commission Archives Planning and Zoning Bid Tool Email Manager Help Bid Tool

- [Create New Bid](#)
 - [View Pending Bids](#)
 - [View Open Bids](#)
 - [View Closed Bids](#)
 - [View Public Log](#)
 - [Bid System Log](#)
 - [Permissions](#)
- Current Time: 09-04-2020 08:50:52 am

Show entries

Search:

ID	Name	Phone	Email	Company Name	Date Submitted	View Bid
2404	Terry May	(601) 376-4000	john.may@apac.com	APAC-Mississippi, INC	08-12-2020 09:41:21 am	View Bid

Showing 1 to 1 of 1 entries

[Previous](#) 1 [Next](#)

[Mission Commission Archives](#) [Planning and Zoning](#) [Bid Tool](#) [Email Manager](#) [Help Bid Tool](#)

[Create New Bid](#)

[View Pending Bids](#)

[View Open Bids](#)

[View Closed Bids](#)

[View Public Log](#)

[Bid System Log](#)

[Permissions](#)

Current Time: 09-04-2020 08:51:27 am

Show entries

Search:

ID	Name	Phone	Email	Company Name	Date Submitted	View Bid
2405	Terry May	(601) 376-4000	john.may@apac.com	APAC-Mississippi, INC	08-12-2020 09:42:44 am	View Bid

Showing 1 to 1 of 1 entries

[Previous](#) 1 [Next](#)

Create New Bid

View Pending Bids

View Open Bids

View Closed Bids

View Public Log

Bid System Log

Permissions

Current Time: 09-04-2020 08:53:32 am

Show entries

Search:

ID	Name	Phone	Email	Company Name	Date Submitted	View Bid
2413	Tim Deason	(662) 834-1867	tim.deason@hammett-gravel.com	Hammett Gravel Company, Inc.	08-17-2020 02:42:08 pm	View Bid

Showing 1 to 1 of 1 entries

[Previous](#) 1 [Next](#)

- [Create New Bid](#)
- [View Pending Bids](#)
- [View Open Bids](#)
- [View Closed Bids](#)
- [View Public Log](#)
- [Bid System Log](#)
- [Permissions](#)
- Current Time: 09-04-2020 08:54:14 am

Show entries

Search:

ID	Name	Phone	Email	Company Name	Date Submitted	View Bid
2411	Tim Deason	(662) 834-1867	tim.deason@hammett-gravel.com	Hammett Gravel Company, Inc.	08-17-2020 02:39:53 pm	View Bid
2412	Tim Deason	(662) 834-1867	tim.deason@hammett-gravel.com	Hammett Gravel Company, Inc.	08-17-2020 02:40:06 pm	View Bid
2414	Terry May	(601) 376-4000	john.may@apac.com	APAC-Mississippi, INC	08-24-2020 08:39:01 am	View Bid

Showing 1 to 3 of 3 entries

[Previous](#) 1 [Next](#)

- [Create New Bid](#)
- [View Pending Bids](#)
- [View Open Bids](#)
- [View Closed Bids](#)
- [View Public Log](#)
- [Bid System Log](#)
- [Permissions](#)
- [Current Time: 09-04-2020 08:54:48 am](#)

Show entries

Search:

ID	Name	Phone	Email	Company Name	Date Submitted	View Bid
2417	Davis Broadwater	(601) 421-8926	dbroadwater@gosupplyinc.com	G&O Supply	08-25-2020 02:28:22 pm	View Bid

Showing 1 to 1 of 1 entries

[Previous](#) 1 [Next](#)

- [Create New Bid](#)
- [View Pending Bids](#)
- [View Open Bids](#)
- [View Closed Bids](#)
- [View Public Log](#)
- [Bid System Log](#)
- [Permissions](#)
- Current Time: 09-04-2020 08:55:47 am

Show entries

Search:

ID	Name	Phone	Email	Company Name	Date Submitted	View Bid
2419	Davis Broadwater	(601) 421-8926	dbroadwater@gosupplyinc.com	G&O Supply	08-25-2020 02:45:11 pm	View Bid

Showing 1 to 1 of 1 entries

[Previous](#) 1 [Next](#)

Municipal Commission Archives Planning and Zoning Bid Tool Email Manager Help Bid Tool

- [Create New Bid](#)
- [View Pending Bids](#)
- [View Open Bids](#)
- [View Closed Bids](#)
- [View Public Log](#)
- [Bid System Log](#)
- [Permissions](#)
- [Current Time: 09-04-2020 08:56:07 am](#)

Show entries

Search:

ID	Name	Phone	Email	Company Name	Date Submitted	View Bid
2420	Davis Broadwater	(601) 421-8926	dbroadwater@gosupplyinc.com	G&O Supply	08-25-2020 02:46:04 pm	View Bid

Showing 1 to 1 of 1 entries

[Previous](#) 1 [Next](#)

[Municipal Commission Archives](#) [Planning and Zoning](#) [Bid Tool](#) [Email Manager](#) [Help](#) [Bid Tool](#)

- [Create New Bid](#)
- [View Pending Bids](#)
- [View Open Bids](#)
- [View Closed Bids](#)
- [View Public Log](#)
- [Bid System Log](#)
- [Permissions](#)
- Current Time: 09-04-2020 08:56:23 am

Show entries

Search:

ID	Name	Phone	Email	Company Name	Date Submitted	View Bid
2421	Davis Broadwater	(601) 421-8926	dbroadwater@gosupplyinc.com	G&O Supply	08-25-2020 02:46:46 pm	View Bid

Showing 1 to 1 of 1 entries

[Previous](#) 1 [Next](#)

[Municipal Commission Archives](#) [Planning and Zoning](#) [Bid Tool](#) [Email Manager](#) [Help](#) [Bid Tool](#)

- [Create New Bid](#)
- [View Pending Bids](#)
- [View Open Bids](#)
- [View Closed Bids](#)
- [View Public Log](#)
- [Bid System Log](#)
- [Permissions](#)
- [Current Time:](#)

Show entries

Search:

ID	Name	Phone	Email	Company Name	Date Submitted	View Bid
2422	Davis Broadwater	(601) 421-8926	cbroadwater@gosupplyinc.com	G&O Supply	08-25-2020 02:47:27 pm	View Bid

Showing 1 to 1 of 1 entries

[Previous](#) 1 [Next](#)

[Municipal Commission Archives](#) [Planning and Zoning](#) [Bid Tool](#) [Email Manager](#) [Help](#) [Bid Tool](#)

- [Create New Bid](#)
- [View Pending Bids](#)
- [View Open Bids](#)
- [View Closed Bids](#)
- [View Public Log](#)
- [Bid System Log](#)
- [Permissions](#)
- Current Time: 09-04-2020 08:57:24 am

Show entries

Search:

ID	Name	Phone	Email	Company Name	Date Submitted	View Bid
2427	Davis Broadwater	(601) 421-8926	dbroadwater@gosupplyinc.com	G&O Supply	08-25-2020 02:51:51 pm	View Bid

Showing 1 to 1 of 1 entries

[Previous](#) 1 [Next](#)

MADISON COUNTY BOARD OF SUPERVISORS

**SPECIFICATION SUBMITTAL SHEET
(NO PRICES)**

**TERM BID FOR PERIOD OCTOBER 1, 2020 – SEPTEMBER 30, 2021
SC1-TYPE 8 ASPHALT
TO PICKED UP BY MADISON COUNTY**

**SPECIFICATION SUBMITTAL SHEET
DEADLINE: SEPTEMBER 3, 2020 – 10:00 A.M.**

Vendors' specification submittal sheet (with no prices) will be received until 10:00 A.M. on Thursday, September 3, 2020. Vendors may submit their specification submittal sheets using either of the two following methods:

1. Electronically at <http://www.madison-co.com/bids>.
2. In a sealed envelope to the Madison County Chancery Clerk's office located in the Madison County Chancery Courthouse, Rooms 225-228, 146 West North Street, Canton, MS 39046. Specification submittal sheets submitted in paper form must have "Term Bids Specifications" written on the outside of the sealed envelope.

Vendors' term bid specification submittal sheets will be evaluated and vendors submitting acceptable specifications will be invited by email to submit priced bids via a live electronic reverse auction or sealed paper bids.

Final bidding for term bids will be held by live electronic reverse auctions on Tuesday, September 9, 2020 beginning at 10:00 A.M., with a scheduled ending time of 11:00 A.M. Qualified vendors can access the live reverse auction via the links distributed by email to qualified vendors. Anti-sniping will be utilized for the live electronic reverse auctions, which means that the bid deadline countdown will automatically reset to 5 minutes anytime a bid is received within the final 5 minutes of the reverse auction. The anti-sniping tool can extend the bid deadline multiple times until no bid is received in the final five minutes of the reverse auction.

Sealed bids may be submitted to the Madison County Chancery Clerk's office located in the Madison County Chancery Courthouse, Rooms 225-228, 146 West North Street, Canton, MS 39046 until 10:00 A.M. on Thursday, September 3, 2020. Sealed bids received by 10:00 A.M. on Tuesday, September 9, 2020 will be entered in the live electronic reverse auction by the county purchasing department. All paper bids must have "Term Bid" and "SC1-Type 8 Asphalt" and written on the outside of the sealed envelope.

NOTE: ALL FEDERAL TAXES AND FEES SHALL BE INCLUDED IN BID PRICES. ALL BID PRICES ARE LIMITED TO DOLLARS AND CENTS ONLY. NO FRACTIONS OF A CENT.

For use in determining if a vendor's location excludes it from participating in the reverse auction and in our calculations of lowest and best bid, note here the number of miles from your company plant to the Madison County Road Department:

1.5 Miles

The below signed company agrees that if it is awarded a Term Bid by the Madison County Board of Supervisors for SC1-Type 8 Asphalt that it will provide said product in a timely manner at the awarded term bid price for the duration of said term bid period. The below signed company further agrees that it will not load quantities of SC1-Type 8 Asphalt on Madison County trucks in an amount greater than is listed on the purchase order for each specific order. Furthermore, the below signed company agrees that in the event that it does load quantities of SC1-Type 8 Asphalt in quantities greater than is listed on the purchase order for a specific order that that it will neither bill nor hold Madison County responsible for the quantity of SC1-Type 8 Asphalt that exceeds the purchase order amount.

COMPANY NAME: APAC-Mississippi, Inc.

ADDRESS: P.O. Box 24508

Jackson, Ms 39225-4508

TELEPHONE: 601-376-4000

CELL PHONE NUMBER: 601-954-8766

EMAIL: john.may@apac.com

Terry May 8-12-2020
AUTHORIZED REPRESENTATIVE'S SIGNATURE DATE

Terry May
PRINT AUTHORIZED REPRESENTATIVE'S NAME HERE

NOTE: ALL BID SHEETS MUST BE SIGNED AND DATED BY AN AUTHORIZED COMPANY REPRESENTATIVE.

MADISON COUNTY BOARD OF SUPERVISORS

**SPECIFICATION SUBMITTAL SHEET
(NO PRICES)**

**TERM BID FOR PERIOD OCTOBER 1, 2020 – SEPTEMBER 30, 2021
SC1-TYPE 8 ASPHALT
TO PICKED UP BY MADISON COUNTY**

**SPECIFICATION SUBMITTAL SHEET
DEADLINE: SEPTEMBER 3, 2020 – 10:00 A.M.**

Vendors' specification submittal sheet (with no prices) will be received until 10:00 A.M. on Thursday, September 3, 2020. Vendors may submit their specification submittal sheets using either of the two following methods:

1. Electronically at <http://www.madison-co.com/bids>.
2. In a sealed envelope to the Madison County Chancery Clerk's office located in the Madison County Chancery Courthouse, Rooms 225-228, 146 West North Street, Canton, MS 39046. Specification submittal sheets submitted in paper form must have "Term Bids Specifications" written on the outside of the sealed envelope.

Vendors' term bid specification submittal sheets will be evaluated and vendors submitting acceptable specifications will be invited by email to submit priced bids via a live electronic reverse auction or sealed paper bids.

Final bidding for term bids will be held by live electronic reverse auctions on Tuesday, September 9, 2020 beginning at 10:00 A.M., with a scheduled ending time of 11:00 A.M. Qualified vendors can access the live reverse auction via the links distributed by email to qualified vendors. Anti-sniping will be utilized for the live electronic reverse auctions, which means that the bid deadline countdown will automatically reset to 5 minutes anytime a bid is received within the final 5 minutes of the reverse auction. The anti-sniping tool can extend the bid deadline multiple times until no bid is received in the final five minutes of the reverse auction.

Sealed bids may be submitted to the Madison County Chancery Clerk's office located in the Madison County Chancery Courthouse, Rooms 225-228, 146 West North Street, Canton, MS 39046 until 10:00 A.M. on Thursday, September 3, 2020. Sealed bids received by 10:00 A.M. on Tuesday, September 9, 2020 will be entered in the live electronic reverse auction by the county purchasing department. All paper bids must have "Term Bid" and "SC1-Type 8 Asphalt" and written on the outside of the sealed envelope.

NOTE: ALL FEDERAL TAXES AND FEES SHALL BE INCLUDED IN BID PRICES. ALL BID PRICES ARE LIMITED TO DOLLARS AND CENTS ONLY. NO FRACTIONS OF A CENT.

For use in determining if a vendor's location excludes it from participating in the reverse auction and in our calculations of lowest and best bid, note here the number of miles from your company plant to the Madison County Road Department:

29.5 Miles

The below signed company agrees that if it is awarded a Term Bid by the Madison County Board of Supervisors for SC1-Type 8 Asphalt that it will provide said product in a timely manner at the awarded term bid price for the duration of said term bid period. The below signed company further agrees that it will not load quantities of SC1-Type 8 Asphalt on Madison County trucks in an amount greater than is listed on the purchase order for each specific order. Furthermore, the below signed company agrees that in the event that it does load quantities of SC1-Type 8 Asphalt in quantities greater than is listed on the purchase order for a specific order that that it will neither bill nor hold Madison County responsible for the quantity of SC1-Type 8 Asphalt that exceeds the purchase order amount.

COMPANY NAME: APAC-Mississippi, Inc.

ADDRESS: P.O. Box 24508

Tibbson Ms 39225-4508

TELEPHONE: 601-376-4000

CELL PHONE NUMBER: 601-954-8766

EMAIL: john.may@apac.com

Terry May 8-12-2020
AUTHORIZED REPRESENTATIVE'S SIGNATURE DATE

Terry May
PRINT AUTHORIZED REPRESENTATIVE'S NAME HERE

NOTE: ALL BID SHEETS MUST BE SIGNED AND DATED BY AN AUTHORIZED COMPANY REPRESENTATIVE.

MADISON COUNTY BOARD OF SUPERVISORS

**SPECIFICATION SUBMITTAL SHEET
(NO PRICES)**

**TERM BID FOR PERIOD OCTOBER 1, 2020 – SEPTEMBER 30, 2021
SC1-TYPE 2 ASPHALT
TO PICKED UP BY MADISON COUNTY**

**SPECIFICATION SUBMITTAL SHEET
DEADLINE: SEPTEMBER 3, 2020 – 10:00 A.M.**

Vendors' specification submittal sheet (with no prices) will be received until 10:00 A.M. on Thursday, September 3, 2020. Vendors may submit their specification submittal sheets using either of the two following methods:

1. Electronically at <http://www.madison-co.com/bids>.
2. In a sealed envelope to the Madison County Chancery Clerk's office located in the Madison County Chancery Courthouse, Rooms 225-228, 146 West North Street, Canton, MS 39046. Specification submittal sheets submitted in paper form must have "Term Bids Specifications" written on the outside of the sealed envelope.

Vendors' term bid specification submittal sheets will be evaluated and vendors submitting acceptable specifications will be invited by email to submit priced bids via a live electronic reverse auction or sealed paper bids.

Final bidding for term bids will be held by live electronic reverse auctions on Tuesday, September 9, 2020 beginning at 10:00 A.M., with a scheduled ending time of 11:00 A.M. Qualified vendors can access the live reverse auction via the links distributed by email to qualified vendors. Anti-sniping will be utilized for the live electronic reverse auctions, which means that the bid deadline countdown will automatically reset to 5 minutes anytime a bid is received within the final 5 minutes of the reverse auction. The anti-sniping tool can extend the bid deadline multiple times until no bid is received in the final five minutes of the reverse auction.

Sealed bids may be submitted to the Madison County Chancery Clerk's office located in the Madison County Chancery Courthouse, Rooms 225-228, 146 West North Street, Canton, MS 39046 until 10:00 A.M. on Thursday, September 3, 2020. Sealed bids received by 10:00 A.M. on Tuesday, September 9, 2020 will be entered in the live electronic reverse auction by the county purchasing department. All paper bids must have "Term Bid" and "SC1-Type 2 Asphalt" and written on the outside of the sealed envelope.

NOTE: ALL FEDERAL TAXES AND FEES SHALL BE INCLUDED IN BID PRICES. ALL BID PRICES ARE LIMITED TO DOLLARS AND CENTS ONLY. NO FRACTIONS OF A CENT.

For use in determining if a vendor's location excludes it from participating in the reverse auction and in our calculations of lowest and best bid, note here the number of miles from your company plant to the Madison County Road Department:

29.5 Miles

The below signed company agrees that if it is awarded a Term Bid by the Madison County Board of Supervisors for SC1-Type 2 Asphalt that it will provide said product in a timely manner at the awarded term bid price for the duration of said term bid period. The below signed company further agrees that it will not load quantities of SC1-Type 2 Asphalt on Madison County trucks in an amount greater than is listed on the purchase order for each specific order. Furthermore, the below signed company agrees that in the event that it does load quantities of SC1-Type 2 Asphalt in quantities greater than is listed on the purchase order for a specific order that that it will neither bill nor hold Madison County responsible for the quantity of SC1-Type 2 Asphalt that exceeds the purchase order amount.

COMPANY NAME: APAC-Mississippi, Inc

ADDRESS: P.O. Box 24508

Jackson, Ms 39225-4508

TELEPHONE: 601-376-4000

CELL PHONE NUMBER: 601-954-8766

EMAIL: john.way@apac.com

Terry May 8-12-2020
AUTHORIZED REPRESENTATIVE'S SIGNATURE DATE

Terry May
PRINT AUTHORIZED REPRESENTATIVE'S NAME HERE

NOTE: ALL BID SHEETS MUST BE SIGNED AND DATED BY AN AUTHORIZED COMPANY REPRESENTATIVE.

MADISON COUNTY BOARD OF SUPERVISORS

**SPECIFICATION SUBMITTAL SHEET
(NO PRICES)**

**TERM BID FOR PERIOD OCTOBER 1, 2020 – SEPTEMBER 30, 2021
SC1-TYPE 2 ASPHALT
TO PICKED UP BY MADISON COUNTY**

**SPECIFICATION SUBMITTAL SHEET
DEADLINE: SEPTEMBER 3, 2020 – 10:00 A.M.**

Vendors' specification submittal sheet (with no prices) will be received until 10:00 A.M. on Thursday, September 3, 2020. Vendors may submit their specification submittal sheets using either of the two following methods:

1. Electronically at <http://www.madison-co.com/bids>.
2. In a sealed envelope to the Madison County Chancery Clerk's office located in the Madison County Chancery Courthouse, Rooms 225-228, 146 West North Street, Canton, MS 39046. Specification submittal sheets submitted in paper form must have "Term Bids Specifications" written on the outside of the sealed envelope.

Vendors' term bid specification submittal sheets will be evaluated and vendors submitting acceptable specifications will be invited by email to submit priced bids via a live electronic reverse auction or sealed paper bids.

Final bidding for term bids will be held by live electronic reverse auctions on Tuesday, September 9, 2020 beginning at 10:00 A.M., with a scheduled ending time of 11:00 A.M. Qualified vendors can access the live reverse auction via the links distributed by email to qualified vendors. Anti-sniping will be utilized for the live electronic reverse auctions, which means that the bid deadline countdown will automatically reset to 5 minutes anytime a bid is received within the final 5 minutes of the reverse auction. The anti-sniping tool can extend the bid deadline multiple times until no bid is received in the final five minutes of the reverse auction.

Sealed bids may be submitted to the Madison County Chancery Clerk's office located in the Madison County Chancery Courthouse, Rooms 225-228, 146 West North Street, Canton, MS 39046 until 10:00 A.M. on Thursday, September 3, 2020. Sealed bids received by 10:00 A.M. on Tuesday, September 9, 2020 will be entered in the live electronic reverse auction by the county purchasing department. All paper bids must have "Term Bid" and "SC1-Type 2 Asphalt" and written on the outside of the sealed envelope.

NOTE: ALL FEDERAL TAXES AND FEES SHALL BE INCLUDED IN BID PRICES. ALL BID PRICES ARE LIMITED TO DOLLARS AND CENTS ONLY. NO FRACTIONS OF A CENT.

For use in determining if a vendor's location excludes it from participating in the reverse auction and in our calculations of lowest and best bid, note here the number of miles from your company plant to the Madison County Road Department:

1.5 Miles

The below signed company agrees that if it is awarded a Term Bid by the Madison County Board of Supervisors for SC1-Type 2 Asphalt that it will provide said product in a timely manner at the awarded term bid price for the duration of said term bid period. The below signed company further agrees that it will not load quantities of SC1-Type 2 Asphalt on Madison County trucks in an amount greater than is listed on the purchase order for each specific order. Furthermore, the below signed company agrees that in the event that it does load quantities of SC1-Type 2 Asphalt in quantities greater than is listed on the purchase order for a specific order that that it will neither bill nor hold Madison County responsible for the quantity of SC1-Type 2 Asphalt that exceeds the purchase order amount.

COMPANY NAME: APAC-Mississippi, Inc.

ADDRESS: P.O. Box 24508

Jackson, Ms 39225-4508

TELEPHONE: 601-376-4000

CELL PHONE NUMBER: 601-954-8766

EMAIL: john.may@apac.com

Terry May 8-17-2020
AUTHORIZED REPRESENTATIVE'S SIGNATURE DATE

Terry May
PRINT AUTHORIZED REPRESENTATIVE'S NAME HERE

NOTE: ALL BID SHEETS MUST BE SIGNED AND DATED BY AN AUTHORIZED COMPANY REPRESENTATIVE.

MADISON COUNTY BOARD OF SUPERVISORS

**SPECIFICATION SUBMITTAL SHEET
(NO PRICES)**

**TERM BID FOR PERIOD OCTOBER 1, 2020 – SEPTEMBER 30, 2021
CRS 2-LIQUID ASPHALT
TO PICKED UP BY MADISON COUNTY**

**SPECIFICATION SUBMITTAL SHEET
DEADLINE: SEPTEMBER 3, 2020 – 10:00 A.M.**

Vendors' specification submittal sheet (with no prices) will be received until 10:00 A.M. on Thursday, September 3, 2020. Vendors may submit their specification submittal sheets using either of the two following methods:

1. Electronically at <http://www.madison-co.com/bids>.
2. In a sealed envelope to the Madison County Chancery Clerk's office located in the Madison County Chancery Courthouse, Rooms 225-228, 146 West North Street, Canton, MS 39046. Specification submittal sheets submitted in paper form must have "Term Bids Specifications" written on the outside of the sealed envelope.

Vendors' term bid specification submittal sheets will be evaluated and vendors submitting acceptable specifications will be invited by email to submit priced bids via a live electronic reverse auction or sealed paper bids.

Final bidding for term bids will be held by live electronic reverse auctions on Tuesday, September 9, 2020 beginning at 10:00 A.M., with a scheduled ending time of 11:00 A.M. Qualified vendors can access the live reverse auction via the links distributed by email to qualified vendors. Anti-sniping will be utilized for the live electronic reverse auctions, which means that the bid deadline countdown will automatically reset to 5 minutes anytime a bid is received within the final 5 minutes of the reverse auction. The anti-sniping tool can extend the bid deadline multiple times until no bid is received in the final five minutes of the reverse auction.

Sealed bids may be submitted to the Madison County Chancery Clerk's office located in the Madison County Chancery Courthouse, Rooms 225-228, 146 West North Street, Canton, MS 39046 until 10:00 A.M. on Thursday, September 3, 2020. Sealed bids received by 10:00 A.M. on Tuesday, September 9, 2020 will be entered in the live electronic reverse auction by the county purchasing department. All paper bids must have "Term Bid" and "CRS 2-Liquid Asphalt" and written on the outside of the sealed envelope.

NOTE: ALL FEDERAL TAXES AND FEES SHALL BE INCLUDED IN BID PRICES. ALL BID PRICES ARE LIMITED TO DOLLARS AND CENTS ONLY. NO FRACTIONS OF A CENT.

**For use in determining if a vendor's location excludes it from participating in the reverse auction and in our calculations of lowest and best bid, note here the number of miles from your company plant to the Madison County Road Department:
approximately 65 Miles**

The below signed company agrees that if it is awarded a Term Bid by the Madison County Board of Supervisors for CRS 2-Liquid Asphalt that it will provide said product in a timely manner at the awarded term bid price for the duration of said term bid period. The below signed company further agrees that it will not load quantities of CRS 2-Liquid Asphalt on Madison County trucks in an amount greater than is listed on the purchase order for each specific order. Furthermore, the below signed company agrees that in the event that it does load quantities of CRS 2-Liquid Asphalt in quantities greater than is listed on the purchase order for a specific order that that it will neither bill nor hold Madison County responsible for the quantity of CRS 2-Liquid Asphalt that exceeds the purchase order amount.

COMPANY NAME: ERGON ASPHALT & EMULSIONS, INC.

ADDRESS: P. O. BOX 1639

JACKSON, MS 39215-1639

TELEPHONE: 601-933-3387

CELL PHONE NUMBER: 601-497-7278

EMAIL: amy.walker@ergon.com / teresa.purifoy@ergon.com

Amy Walker August 28, 2020
AUTHORIZED REPRESENTATIVE'S SIGNATURE DATE

Amy Walker, Area Sales Manager
PRINT AUTHORIZED REPRESENTATIVE'S NAME HERE

NOTE: ALL BID SHEETS MUST BE SIGNED AND DATED BY AN AUTHORIZED COMPANY REPRESENTATIVE.

MADISON COUNTY BOARD OF SUPERVISORS

**SPECIFICATION SUBMITTAL SHEET
(NO PRICES)**

**TERM BID FOR PERIOD OCTOBER 1, 2020 – SEPTEMBER 30, 2021
COLD MIX ASPHALT
TO PICKED UP BY MADISON COUNTY**

**SPECIFICATION SUBMITTAL SHEET
DEADLINE: SEPTEMBER 3, 2020 – 10:00 A.M.**

Vendors' specification submittal sheet (with no prices) will be received until 10:00 A.M. on Thursday, September 3, 2020. Vendors may submit their specification submittal sheets using either of the two following methods:

1. Electronically at <http://www.madison-co.com/bids>.
2. In a sealed envelope to the Madison County Chancery Clerk's office located in the Madison County Chancery Courthouse, Rooms 225-228, 146 West North Street, Canton, MS 39046. Specification submittal sheets submitted in paper form must have "Term Bids Specifications" written on the outside of the sealed envelope.

Vendors' term bid specification submittal sheets will be evaluated and vendors submitting acceptable specifications will be invited by email to submit priced bids via a live electronic reverse auction or sealed paper bids.

Final bidding for term bids will be held by live electronic reverse auctions on Tuesday, September 9, 2020 beginning at 10:00 A.M., with a scheduled ending time of 11:00 A.M. Qualified vendors can access the live reverse auction via the links distributed by email to qualified vendors. Anti-sniping will be utilized for the live electronic reverse auctions, which means that the bid deadline countdown will automatically reset to 5 minutes anytime a bid is received within the final 5 minutes of the reverse auction. The anti-sniping tool can extend the bid deadline multiple times until no bid is received in the final five minutes of the reverse auction.

Sealed bids may be submitted to the Madison County Chancery Clerk's office located in the Madison County Chancery Courthouse, Rooms 225-228, 146 West North Street, Canton, MS 39046 until 10:00 A.M. on Thursday, September 3, 2020. Sealed bids received by 10:00 A.M. on Tuesday, September 9, 2020 will be entered in the live electronic reverse auction by the county purchasing department. All paper bids must have "Term Bid" and "Cold Mix Asphalt" and written on the outside of the sealed envelope.

NOTE: ALL FEDERAL TAXES AND FEES SHALL BE INCLUDED IN BID PRICES. ALL BID PRICES ARE LIMITED TO DOLLARS AND CENTS ONLY. NO FRACTIONS OF A CENT.

For use in determining if a vendor's location excludes it from participating in the reverse auction and in our calculations of lowest and best bid, note here the number of miles from your company plant to the Madison County Road Department:

29.5 Miles

The below signed company agrees that if it is awarded a Term Bid by the Madison County Board of Supervisors for Cold Mix Asphalt that it will provide said product in a timely manner at the awarded term bid price for the duration of said term bid period. The below signed company further agrees that it will not load quantities of Cold Mix Asphalt on Madison County trucks in an amount greater than is listed on the purchase order for each specific order. Furthermore, the below signed company agrees that in the event that it does load quantities of Cold Mix Asphalt in quantities greater than is listed on the purchase order for a specific order that that it will neither bill nor hold Madison County responsible for the quantity of Cold Mix Asphalt that exceeds the purchase order amount.

COMPANY NAME: APAC-Mississippi, Inc.

ADDRESS: P.O. Box 24508

Jackson, Ms 39225-4508

TELEPHONE: 601-376-4000

CELL PHONE NUMBER: 601-954-8766

EMAIL: john.may@apac.com

Terry May 8-12-2020
AUTHORIZED REPRESENTATIVE'S SIGNATURE DATE

Terry May
PRINT AUTHORIZED REPRESENTATIVE'S NAME HERE

NOTE: ALL BID SHEETS MUST BE SIGNED AND DATED BY AN AUTHORIZED COMPANY REPRESENTATIVE.

MADISON COUNTY BOARD OF SUPERVISORS

**SPECIFICATION SUBMITTAL SHEET
(NO PRICES)**

**TERM BID FOR PERIOD OCTOBER 1, 2020 – SEPTEMBER 30, 2021
BB1 Asphalt
TO PICKED UP BY MADISON COUNTY**

**SPECIFICATION SUBMITTAL SHEET
DEADLINE: SEPTEMBER 3, 2020 – 10:00 A.M.**

Vendors' specification submittal sheet (with no prices) will be received until 10:00 A.M. on Thursday, September 3, 2020. Vendors may submit their specification submittal sheets using either of the two following methods:

1. Electronically at <http://www.madison-co.com/bids>.
2. In a sealed envelope to the Madison County Chancery Clerk's office located in the Madison County Chancery Courthouse, Rooms 225-228, 146 West North Street, Canton, MS 39046. Specification submittal sheets submitted in paper form must have "Term Bids Specifications" written on the outside of the sealed envelope.

Vendors' term bid specification submittal sheets will be evaluated and vendors submitting acceptable specifications will be invited by email to submit priced bids via a live electronic reverse auction or sealed paper bids.

Final bidding for term bids will be held by live electronic reverse auctions on Tuesday, September 9, 2020 beginning at 10:00 A.M., with a scheduled ending time of 11:00 A.M. Qualified vendors can access the live reverse auction via the links distributed by email to qualified vendors. Anti-sniping will be utilized for the live electronic reverse auctions, which means that the bid deadline countdown will automatically reset to 5 minutes anytime a bid is received within the final 5 minutes of the reverse auction. The anti- sniping tool can extend the bid deadline multiple times until no bid is received in the final five minutes of the reverse auction.

Sealed bids may be submitted to the Madison County Chancery Clerk's office located in the Madison County Chancery Courthouse, Rooms 225-228, 146 West North Street, Canton, MS 39046 until 10:00 A.M. on Thursday, September 3, 2020 Sealed bids received by 10:00 A.M. on Tuesday, September 9, 2020 will be entered in the live electronic reverse auction by the county purchasing department. All paper bids must have "Term Bid" and "BB 1 Asphalt" and written on the outside of the sealed envelope.

NOTE: ALL FEDERAL TAXES AND FEES SHALL BE INCLUDED IN BID PRICES. ALL BID PRICES ARE LIMITED TO DOLLARS AND CENTS ONLY. NO FRACTIONS OF A CENT.

For use in determining if a vendor's location excludes it from participating in the reverse auction and in our calculations of lowest and best bid, note here the number of miles from your company plant to the Madison County Road Department:

1.5 Miles

The below signed company agrees that if it is awarded a Term Bid by the Madison County Board of Supervisors for BB1 Asphalt that it will provide said product in a timely manner at the awarded term bid price for the duration of said term bid period. The below signed company further agrees that it will not load quantities of BB1 Asphalt on Madison County trucks in an amount greater than is listed on the purchase order for each specific order. Furthermore, the below signed company agrees that in the event that it does load quantities of BB1 Asphalt in quantities greater than is listed on the purchase order for a specific order that that it will neither bill nor hold Madison County responsible for the quantity of BB1 Asphalt that exceeds the purchase order amount.

COMPANY NAME: APAC-Mississippi, Inc.

ADDRESS: P.O. Box 24508

Tackson Ms 39225-4508

TELEPHONE: 601-376-4000

CELL PHONE NUMBER: 601-954-8766

EMAIL: john.may@apac.com

Terry May AUTHORIZED REPRESENTATIVE'S SIGNATURE 8-12-2020 DATE

Terry May
PRINT AUTHORIZED REPRESENTATIVE'S NAME HERE

NOTE: ALL BID SHEETS MUST BE SIGNED AND DATED BY AN AUTHORIZED COMPANY REPRESENTATIVE.

MADISON COUNTY BOARD OF SUPERVISORS

**SPECIFICATION SUBMITTAL SHEET
(NO PRICES)**

**TERM BID FOR PERIOD OCTOBER 1, 2020 – SEPTEMBER 30, 2021
15" Diameter by Foot – HDPE (Plastic Pipes)
TO BE PICKED UP BY MADISON COUNTY**

**SPECIFICATION SUBMITTAL SHEET
DEADLINE: SEPTEMBER 3, 2020 – 10:00 A.M.**

*Submitted
under union
Bid*

*2020-01-27
410 Unmasked
lime stone*

Vendors' specification submittal sheet (with no prices) will be received until 10:00 A.M. on Thursday, September 3, 2020. Vendors may submit their specification submittal sheets using either of the two following methods:

1. Electronically at <http://www.madison-co.com/bids>.
2. In a sealed envelope to the Madison County Chancery Clerk's office located in the Madison County Chancery Courthouse, Rooms 225-228, 146 West North Street, Canton, MS 39046. Specification submittal sheets submitted in paper form must have "Term Bids Specifications" written on the outside of the sealed envelope.

Vendors' term bid specification submittal sheets will be evaluated and vendors submitting acceptable specifications will be invited by email to submit priced bids via a live electronic reverse auction or sealed paper bids.

Final bidding for term bids will be held by live electronic reverse auctions on Tuesday, September 9, 2020 beginning at 10:00 A.M., with a scheduled ending time of 11:00 A.M. Qualified vendors can access the live reverse auction via the links distributed by email to qualified vendors. Anti-sniping will be utilized for the live electronic reverse auctions, which means that the bid deadline countdown will automatically reset to 5 minutes anytime a bid is received within the final 5 minutes of the reverse auction. The anti-sniping tool can extend the bid deadline multiple times until no bid is received in the final five minutes of the reverse auction.

Sealed bids may be submitted to the Madison County Chancery Clerk's office located in the Madison County Chancery Courthouse, Rooms 225-228, 146 West North Street, Canton, MS 39046 until 10:00 A.M. on Thursday, September 3, 2020. Sealed bids received by 10:00 A.M. on Tuesday, September 9, 2020 will be entered in the live electronic reverse auction by the county purchasing department. All paper bids must have "Term Bid" and "15" Diameter by Foot – HDPE (Plastic Pipes)" and written on the outside of the sealed envelope.

NOTE: ALL FEDERAL TAXES AND FEES SHALL BE INCLUDED IN BID PRICES. ALL BID PRICES ARE LIMITED TO DOLLARS AND CENTS ONLY. NO FRACTIONS OF A CENT.

For use in determining if a vendor's location excludes it from participating in the reverse auction and in our calculations of lowest and best bid, note here the number of miles from your company plant to the Madison County Road Department:

20 Miles

The below signed company agrees that if it is awarded a Term Bid by the Madison County Board of Supervisors for 15" Diameter by Foot - HDPE (Plastic Pipes) that it will provide said product in a timely manner at the awarded term bid price for the duration of said term bid period. The below signed company further agrees that it will not load quantities of 15" Diameter by Foot - HDPE (Plastic Pipes) on Madison County trucks in an amount greater than is listed on the purchase order for each specific order. Furthermore, the below signed company agrees that in the event that it does load quantities of 15" Diameter by Foot - HDPE (Plastic Pipes) in quantities greater than is listed on the purchase order for a specific order that that it will neither bill nor hold Madison County responsible for the quantity of 15" Diameter by Foot - HDPE (Plastic Pipes) that exceeds the purchase order amount.

COMPANY NAME: G+O Supply

ADDRESS: 2052 Forest Ave
JACKSON MS 39213

TELEPHONE: 601 366 7444

CELL PHONE NUMBER: 601 421 8926

EMAIL: dbroadwater@gosupplyinc.com

[Signature] 8/25/2020
AUTHORIZED REPRESENTATIVE'S SIGNATURE DATE

DAVIS M BROADWATER
PRINT AUTHORIZED REPRESENTATIVE'S NAME HERE

NOTE: ALL BID SHEETS MUST BE SIGNED AND DATED BY AN AUTHORIZED COMPANY REPRESENTATIVE.

ADS N-12® ST IB PIPE (per ASTM F2648) SPECIFICATION

Scope

This specification describes 4- through 60-inch (100 to 1500 mm) ADS N-12 ST IB pipe (per ASTM F2648) for use in gravity-flow land drainage applications.

Pipe Requirements

ADS N-12 ST IB pipe (per ASTM F2648) shall have a smooth interior and annular exterior corrugations.

- 4- through 60-inch (100 to 1500 mm) shall meet ASTM F2648.
- Manning's "n" value for use in design shall be 0.012.

Joint Performance

Pipe shall be joined using a bell & spigot joint meeting ASTM F2648. The joint shall be soil-tight and gaskets, when applicable, shall meet the requirements of ASTM F477. Gaskets shall be installed by the pipe manufacturer and covered with a removable wrap to ensure the gasket is free from debris. A joint lubricant supplied by the manufacturer shall be used on the gasket and bell during assembly.

Fittings

Fittings shall conform to ASTM F 2306. Bell and spigot connections shall utilize a spun-on or welded bell and valley or saddle gasket meeting the soil-tight joint performance requirements of ASTM F 2306.

Material Properties

Material for pipe production shall be an engineered compound of virgin and recycled high density polyethylene conforming with the minimum requirements of cell classification 424420C (ESCR Test Condition B) for 4- through 10-inch (100 to 250 mm) diameters, and 435420C (ESCR Test Condition B) for 12- through 60-inch (300 to 1500 mm) diameters, as defined and described in the latest version of ASTM D3350, except that carbon black content should not exceed 4%. The design engineer shall verify compatibility with overall system including structural, hydraulic, material and installation requirements for a given application.

Installation

Installation shall be in accordance with ASTM D2321 and ADS recommended installation guidelines, with the exception that minimum cover in trafficked areas for 4- through 48-inch (100 to 1200 mm) diameters shall be one foot. (0.3 m) and for 60-inch (1500 mm) diameters, the minimum cover shall be 2 ft. (0.6 m) in single run applications. Backfill for minimum cover situations shall consist of Class 1 (compacted), or Class 2 (minimum 90% SPD) material. Maximum fill heights depend on embedment material and compaction level; please refer to Technical Note 2.02. Contact your local ADS representative or visit our website at www.ads-pipe.com for a copy of the latest installation guidelines.

Pipe Dimensions

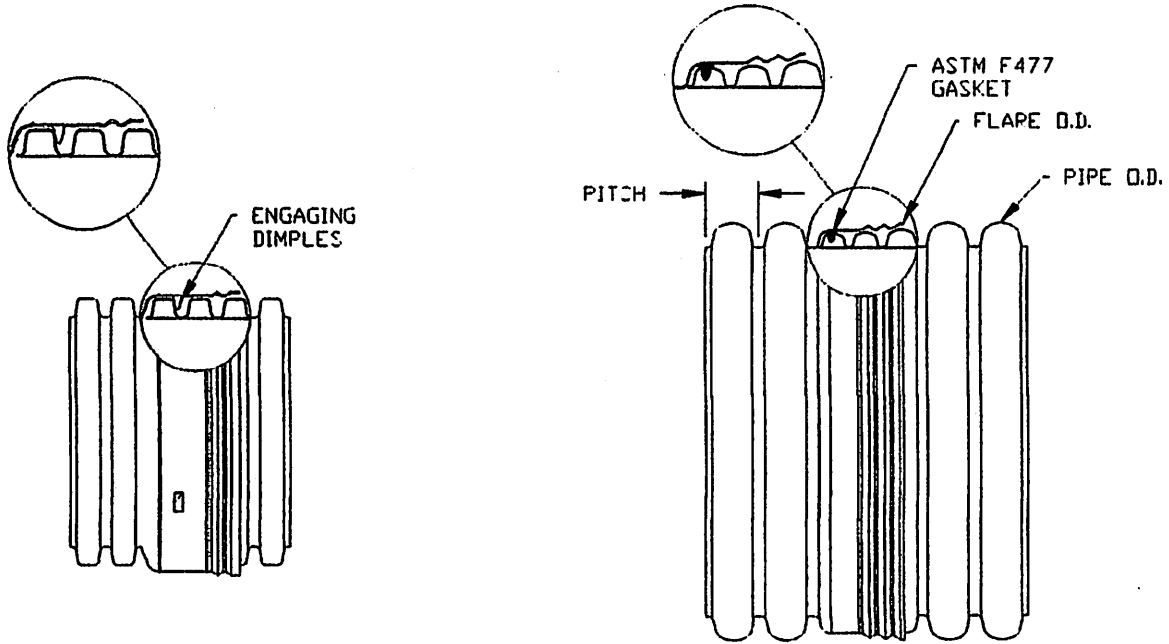
Pipe I.D. in (mm)	Nominal Diameter, in (mm)													
	4 (100)	6 (150)	8 (200)	10 (250)	12 (300)	15 (375)	18 (450)	24 (600)	30 (750)	36 (900)	42 (1050)	48 (1200)	54* (1350)	60 (1500)
Pipe O.D.** in (mm)	4.8 (122)	6.9 (175)	9.1 (231)	11.4 (290)	14.5 (368)	18 (457)	22 (559)	28 (711)	36 (914)	42 (1067)	48 (1219)	54 (1372)	61 (1549)	67 (1702)
Perforations	All diameters available with or without perforations.													

*Check with sales representative for availability by region.

**Pipe O.D. values are provided for reference purposes only, values stated for 12- through 60-inch are ± 1 inch. Contact a sales representative for exact values.

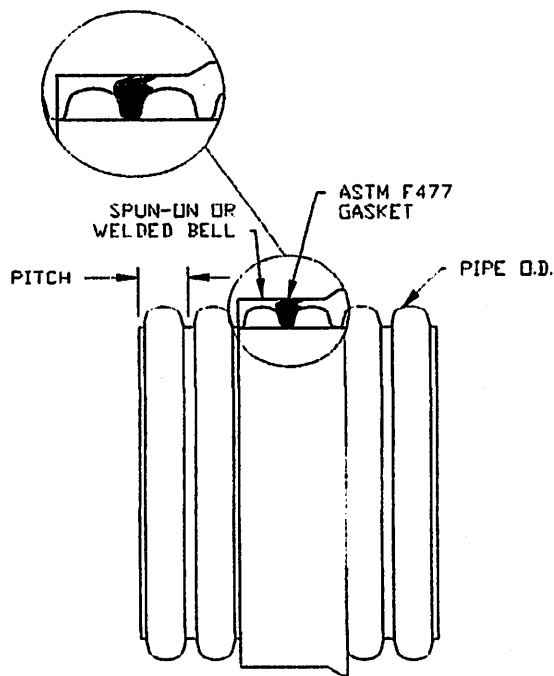
N-12® ST IB (per ASTM F2648) JOINT SYSTEM

(Joint configuration & availability subject to change without notice. Product detail may differ slightly from actual product appearance.)



4" - 10"
(100-250 MM)

12" - 60"
(300-1500 MM)



4" - 60"
(100-1500 MM)

Section Commission Archives Planning and Zoning Bid Tool Email Manager Help Bid Tool

Create New Bid

View Pending Bids

View Open Bids

View Closed Bids

View Public Log

Bid System Log

Permissions

Current Time: 09-04-2020 08:52:03 am

Show 10 entries

Search:

ID	Name	Phone	Email	Company Name	Date Submitted	View Bid
2418	Davis Broadwater	(601) 421-8926	dbroadwater@gosupplyinc.com	G&O Supply	08-25-2020 02:44:29 pm	View Bid

Showing 1 to 1 of 1 entries

[Previous](#) 1 [Next](#)

NOTE: ALL FEDERAL TAXES AND FEES SHALL BE INCLUDED IN BID PRICES. ALL BID PRICES ARE LIMITED TO DOLLARS AND CENTS ONLY. NO FRACTIONS OF A CENT.

For use in determining if a vendor's location excludes it from participating in the reverse auction and in our calculations of lowest and best bid, note here the number of miles from your company plant to the Madison County Road Department:

37 Miles

The below signed company agrees that if it is awarded a Term Bid by the Madison County Board of Supervisors for Washed Road Gravel that it will provide said product in a timely manner at the awarded term bid price for the duration of said term bid period. The below signed company further agrees that it will not load quantities of Washed Road Gravel on Madison County trucks in an amount greater than is listed on the purchase order for each specific order. Furthermore, the below signed company agrees that in the event that it does load quantities of Washed Road Gravel in quantities greater than is listed on the purchase order for a specific order that that it will neither bill nor hold Madison County responsible for the quantity of Washed Road Gravel that exceeds the purchase order amount.

COMPANY NAME: Hammett Gravel Company, Inc.

ADDRESS: PO Box 209

Lexington, Ms 39095

TELEPHONE: 662-834-1367

CELL PHONE NUMBER: 601-416-1481

EMAIL: timdeason@hammett-gravel.com

Tim Deason / DATE 8/17/2020
AUTHORIZED REPRESENTATIVE'S SIGNATURE

Tim Deason
PRINT AUTHORIZED REPRESENTATIVE'S NAME HERE

NOTE: ALL BID SHEETS MUST BE SIGNED AND DATED BY AN AUTHORIZED COMPANY REPRESENTATIVE.

MADISON COUNTY BOARD OF SUPERVISORS

SPECIFICATION SUBMITTAL SHEET (NO PRICES)

**TERM BID FOR PERIOD OCTOBER 1, 2020 – SEPTEMBER 30, 2021
12" Diameter by Foot – HDPE (Plastic Pipe)
TO PICKED UP BY MADISON COUNTY**

**SPECIFICATION SUBMITTAL SHEET
DEADLINE: SEPTEMBER 3, 2020 – 10:00 A.M.**

Vendors' specification submittal sheet (with no prices) will be received until 10:00 A.M. on Thursday, September 3, 2020. Vendors may submit their specification submittal sheets using either of the two following methods:

1. Electronically at <http://www.madison-co.com/bids>.
2. In a sealed envelope to the Madison County Chancery Clerk's office located in the Madison County Chancery Courthouse, Rooms 225-228, 146 West North Street, Canton, MS 39046. Specification submittal sheets submitted in paper form must have "Term Bids Specifications" written on the outside of the sealed envelope.

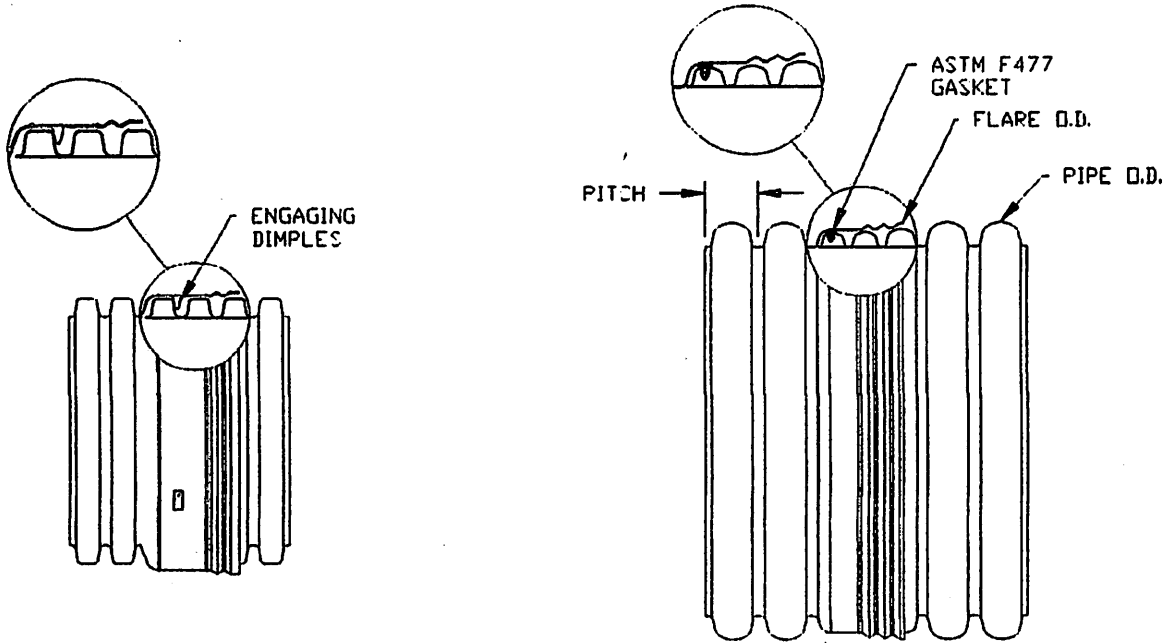
Vendors' term bid specification submittal sheets will be evaluated and vendors submitting acceptable specifications will be invited by email to submit priced bids via a live electronic reverse auction or sealed paper bids.

Final bidding for term bids will be held by live electronic reverse auctions on Tuesday, September 9, 2020 beginning at 10:00 A.M., with a scheduled ending time of 11:00 A.M. Qualified vendors can access the live reverse auction via the links distributed by email to qualified vendors. Anti-sniping will be utilized for the live electronic reverse auctions, which means that the bid deadline countdown will automatically reset to 5 minutes anytime a bid is received within the final 5 minutes of the reverse auction. The anti-sniping tool can extend the bid deadline multiple times until no bid is received in the final five minutes of the reverse auction.

Sealed bids may be submitted to the Madison County Chancery Clerk's office located in the Madison County Chancery Courthouse, Rooms 225-228, 146 West North Street, Canton, MS 39046 until 10:00 A.M. on Thursday, September 3, 2020. Sealed bids received by 10:00 A.M. on Tuesday, September 9, 2020 will be entered in the live electronic reverse auction by the county purchasing department. All paper bids must have "Term Bid" and "12" Diameter by Foot" and written on the outside of the sealed envelope.

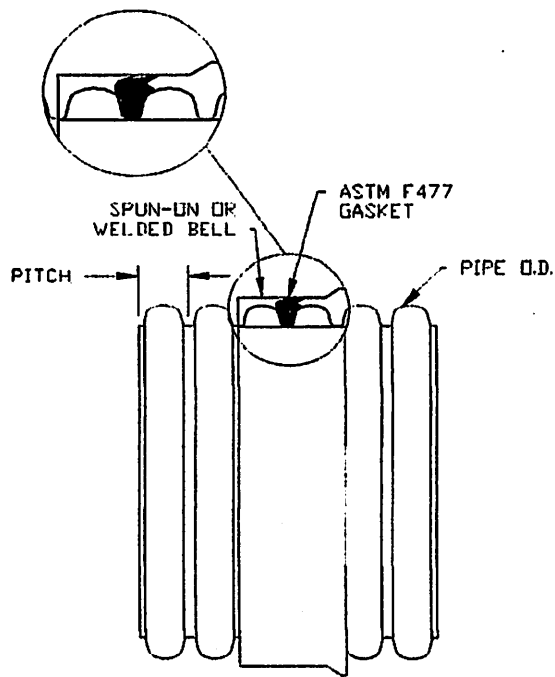
N-12[®] ST IB (per ASTM F2648) JOINT SYSTEM

(Joint configuration & availability subject to change without notice. Product detail may differ slightly from actual product appearance.)



4" - 10"
(100-250 MM)

12" - 60"
(300-1500 MM)



4" - 60"
(100-1500 MM)

MADISON COUNTY BOARD OF SUPERVISORS

**SPECIFICATION SUBMITTAL SHEET
(NO PRICES)**

**TERM BID FOR PERIOD OCTOBER 1, 2020 – SEPTEMBER 30, 2021
30” Band – Aluminized CMP (Pipes) (14 Gauge Type 2)
TO PICKED UP BY MADISON COUNTY**

**SPECIFICATION SUBMITTAL SHEET
DEADLINE: SEPTEMBER 3, 2020 – 10:00 A.M.**

Vendors' specification submittal sheet (with no prices) will be received until 10:00 A.M. on Thursday, September 3, 2020. Vendors may submit their specification submittal sheets using either of the two following methods:

1. Electronically at <http://www.madison-co.com/bids>.
2. In a sealed envelope to the Madison County Chancery Clerk's office located in the Madison County Chancery Courthouse, Rooms 225-228, 146 West North Street, Canton, MS 39046. Specification submittal sheets submitted in paper form must have "Term Bids Specifications" written on the outside of the sealed envelope.

Vendors' term bid specification submittal sheets will be evaluated and vendors submitting acceptable specifications will be invited by email to submit priced bids via a live electronic reverse auction or sealed paper bids.

Final bidding for term bids will be held by live electronic reverse auctions on Tuesday, September 9, 2020 beginning at 10:00 A.M., with a scheduled ending time of 11:00 A.M. Qualified vendors can access the live reverse auction via the links distributed by email to qualified vendors. Anti-sniping will be utilized for the live electronic reverse auctions, which means that the bid deadline countdown will automatically reset to 5 minutes anytime a bid is received within the final 5 minutes of the reverse auction. The anti-sniping tool can extend the bid deadline multiple times until no bid is received in the final five minutes of the reverse auction.

Sealed bids may be submitted to the Madison County Chancery Clerk's office located in the Madison County Chancery Courthouse, Rooms 225-228, 146 West North Street, Canton, MS 39046 until 10:00 A.M. on Thursday, September 3, 2020. Sealed bids received by 10:00 A.M. on Tuesday, September 9, 2020 will be entered in the live electronic reverse auction by the county purchasing department. All paper bids must have "Term Bid" and "30 Band" - Aluminized CMP (Pipes) (14 Gauge Type 2) and written on the outside of the sealed envelope.

SPECIFICATION FOR CORRUGATED METAL PIPE

ALUMINIZED STEEL TYPE 2

1.0 GENERAL

- 1.1 This specification covers the manufacture and installation of the Aluminized Steel Type 2 corrugated steel pipe or pipe-arch (CSP) detailed in the project plans.

2.0 DESIGN STANDARDS

- 2.1 The CSP meets the design parameters of the American Association of State Highway and Transportation Officials (AASHTO) Standard Specification for Highway Bridges, AASHTO LRFD Bridge Design, and/or the American Iron and Steel Institute (AISI).

3.0 MATERIAL

- 3.1 The Aluminized Steel Type 2 coils shall conform to the applicable requirements of AASHTO M 274 or ASTM A929.

4.0 PIPE

- 4.1 The CSP shall be manufactured in accordance with the applicable requirements of AASHTO M 36 or ASTM A760. The pipe sizes, gauges and corrugations shall be as shown on the project plans.

- 4.2 All fabrication of the product shall occur within the United States.

5.0 COUPLING BANDS

- 5.1 Coupling bands for the CSP shall be made of the same base metal and coatings as the CSP to a minimum of 18 gauge.

- 5.2 Ends of the CSP are rerolled with annular corrugations for proper indexing.

- 5.3 Connection fasteners will be provided.

6.0 HANDLING & ASSEMBLY

- 6.1 Refer to the recommendations of the National Corrugated Steel Pipe Association's (NCSPA).

7.0 INSTALLATION

- 7.1 The installation shall be in accordance with AASHTO Standard Specifications for Highway Bridges, LRFD Section 26, Division II, NCSPA, or ASTM A798 and in conformance with the project plans and specifications. If there are any inconsistencies or conflicts, the contractor must bring them to the attention of the project engineer.

- 7.2 It is always the contractor's responsibility to follow OSHA guidelines for safe practices.

8.0 CONSTRUCTION LOADS

- 8.1 Construction loads may be greater than design loads. The contractor shall follow the recommendations for additional compacted material per manufacturer's or NCSPA guidelines.

MADISON COUNTY BOARD OF SUPERVISORS

SPECIFICATION SUBMITTAL SHEET (NO PRICES)

**TERM BID FOR PERIOD OCTOBER 1, 2020 – SEPTEMBER 30, 2021
24” Band – Aluminized CMP (Pipes) (14 Gauge Type 2)
TO PICKED UP BY MADISON COUNTY**

**SPECIFICATION SUBMITTAL SHEET
DEADLINE: SEPTEMBER 3, 2020 – 10:00 A.M.**

Vendors' specification submittal sheet (with no prices) will be received until 10:00 A.M. on Thursday, September 3, 2020. Vendors may submit their specification submittal sheets using either of the two following methods:

1. Electronically at <http://www.madison-co.com/bids>.
2. In a sealed envelope to the Madison County Chancery Clerk's office located in the Madison County Chancery Courthouse, Rooms 225-228, 146 West North Street, Canton, MS 39046. Specification submittal sheets submitted in paper form must have "Term Bids Specifications" written on the outside of the sealed envelope.

Vendors' term bid specification submittal sheets will be evaluated and vendors submitting acceptable specifications will be invited by email to submit priced bids via a live electronic reverse auction or sealed paper bids.

Final bidding for term bids will be held by live electronic reverse auctions on Tuesday, September 9, 2020 beginning at 10:00 A.M., with a scheduled ending time of 11:00 A.M. Qualified vendors can access the live reverse auction via the links distributed by email to qualified vendors. Anti-sniping will be utilized for the live electronic reverse auctions, which means that the bid deadline countdown will automatically reset to 5 minutes anytime a bid is received within the final 5 minutes of the reverse auction. The anti-sniping tool can extend the bid deadline multiple times until no bid is received in the final five minutes of the reverse auction.

Sealed bids may be submitted to the Madison County Chancery Clerk's office located in the Madison County Chancery Courthouse, Rooms 225-228, 146 West North Street, Canton, MS 39046 until 10:00 A.M. on Thursday, September 3, 2020. Sealed bids received by 10:00 A.M. on Tuesday, September 9, 2020 will be entered in the live electronic reverse auction by the county purchasing department. All paper bids must have "Term Bid" and "24" Band - Aluminized CMP (Pipes) (14 Gauge Type 2) and written on the outside of the sealed envelope.

SPECIFICATION FOR CORRUGATED METAL PIPE

ALUMINIZED STEEL TYPE 2

1.0 GENERAL

- 1.1 This specification covers the manufacture and installation of the Aluminized Steel Type 2 corrugated steel pipe or pipe-arch (CSP) detailed in the project plans.

2.0 DESIGN STANDARDS

- 2.1 The CSP meets the design parameters of the American Association of State Highway and Transportation Officials (AASHTO) Standard Specification for Highway Bridges, AASHTO LRFD Bridge Design, and/or the American Iron and Steel Institute (AISI).

3.0 MATERIAL

- 3.1 The Aluminized Steel Type 2 coils shall conform to the applicable requirements of AASHTO M 274 or ASTM A929.

4.0 PIPE

- 4.1 The CSP shall be manufactured in accordance with the applicable requirements of AASHTO M 36 or ASTM A760. The pipe sizes, gauges and corrugations shall be as shown on the project plans.

- 4.2 All fabrication of the product shall occur within the United States.

5.0 COUPLING BANDS

- 5.1 Coupling bands for the CSP shall be made of the same base metal and coatings as the CSP to a minimum of 18 gauge.

- 5.2 Ends of the CSP are rerolled with annular corrugations for proper indexing.

- 5.3 Connection fasteners will be provided.

6.0 HANDLING & ASSEMBLY

- 6.1 Refer to the recommendations of the National Corrugated Steel Pipe Association's (NCSPA).

7.0 INSTALLATION

- 7.1 The installation shall be in accordance with AASHTO Standard Specifications for Highway Bridges, LRFD Section 26, Division II, NCSPA, or ASTM A798 and in conformance with the project plans and specifications. If there are any inconsistencies or conflicts, the contractor must bring them to the attention of the project engineer.

- 7.2 It is always the contractor's responsibility to follow OSHA guidelines for safe practices.

8.0 CONSTRUCTION LOADS

- 8.1 Construction loads may be greater than design loads. The contractor shall follow the recommendations for additional compacted material per manufacturer's or NCSPA guidelines.

NOTE: ALL FEDERAL TAXES AND FEES SHALL BE INCLUDED IN BID PRICES. ALL BID PRICES ARE LIMITED TO DOLLARS AND CENTS ONLY. NO FRACTIONS OF A CENT.

For use in determining if a vendor's location excludes it from participating in the reverse auction and in our calculations of lowest and best bid, note here the number of miles from your company plant to the Madison County Road Department:

20 Miles

The below signed company agrees that if it is awarded a Term Bid by the Madison County Board of Supervisors for "30" Diameter by Foot- Aluminized CMP (Pipes) (14 Gauge Type 2) that it will provide said product in a timely manner at the awarded term bid price for the duration of said term bid period. The below signed company further agrees that it will not load quantities of "30" Diameter by Foot- Aluminized CMP (Pipes) (14 Gauge Type 2) on Madison County trucks in an amount greater than is listed on the purchase order for each specific order. Furthermore, the below signed company agrees that in the event that it does load quantities of "30" Diameter by Foot- Aluminized CMP (Pipes) (14 Gauge Type 2) by Foot in quantities greater than is listed on the purchase order for a specific order that that it will neither bill nor hold Madison County responsible for the quantity of "30" Diameter by Foot- Aluminized CMP (Pipes) (14 Gauge Type 2) that exceeds the purchase order amount.

COMPANY NAME: G+O Supply

ADDRESS: 2052 Forest AVE

JACKSON MS 39213

TELEPHONE: 601 366 7444

CELL PHONE NUMBER: 601 421 8926

EMAIL: dbroadwater@gosupplyinc.com

[Signature] 8/25/2020
AUTHORIZED REPRESENTATIVE'S SIGNATURE DATE

DAVIS M BROADWATER
PRINT AUTHORIZED REPRESENTATIVE'S NAME HERE

NOTE: ALL BID SHEETS MUST BE SIGNED AND DATED BY AN AUTHORIZED COMPANY REPRESENTATIVE.

SPECIFICATION FOR CORRUGATED METAL PIPE ALUMINIZED STEEL TYPE 2

1.0 GENERAL

- 1.1 This specification covers the manufacture and installation of the Aluminized Steel Type 2 corrugated steel pipe or pipe-arch (CSP) detailed in the project plans.

2.0 DESIGN STANDARDS

- 2.1 The CSP meets the design parameters of the American Association of State Highway and Transportation Officials (AASHTO) Standard Specification for Highway Bridges, AASHTO LRFD Bridge Design, and/or the American Iron and Steel Institute (AISI).

3.0 MATERIAL

- 3.1 The Aluminized Steel Type 2 coils shall conform to the applicable requirements of AASHTO M 274 or ASTM A929.

4.0 PIPE

- 4.1 The CSP shall be manufactured in accordance with the applicable requirements of AASHTO M 36 or ASTM A760. The pipe sizes, gauges and corrugations shall be as shown on the project plans.
- 4.2 All fabrication of the product shall occur within the United States.

5.0 COUPLING BANDS

- 5.1 Coupling bands for the CSP shall be made of the same base metal and coatings as the CSP to a minimum of 18 gauge.
- 5.2 Ends of the CSP are rerolled with annular corrugations for proper indexing.
- 5.3 Connection fasteners will be provided.

6.0 HANDLING & ASSEMBLY

- 6.1 Refer to the recommendations of the National Corrugated Steel Pipe Association's (NCSPA).

7.0 INSTALLATION

- 7.1 The installation shall be in accordance with AASHTO Standard Specifications for Highway Bridges, LRFD Section 26, Division II, NCSPA, or ASTM A798 and in conformance with the project plans and specifications. If there are any inconsistencies or conflicts, the contractor must bring them to the attention of the project engineer.
- 7.2 It is always the contractor's responsibility to follow OSHA guidelines for safe practices.

8.0 CONSTRUCTION LOADS

- 8.1 Construction loads may be greater than design loads. The contractor shall follow the recommendations for additional compacted material per manufacturer's or NCSPA guidelines.

MADISON COUNTY BOARD OF SUPERVISORS

SPECIFICATION SUBMITTAL SHEET (NO PRICES)

**TERM BID FOR PERIOD OCTOBER 1, 2020 – SEPTEMBER 30, 2021
24" Diameter by Foot – HDPE (Plastic Pipes)
TO PICKED UP BY MADISON COUNTY**

**SPECIFICATION SUBMITTAL SHEET
DEADLINE: SEPTEMBER 3, 2020 – 10:00 A.M.**

Vendors' specification submittal sheet (with no prices) will be received until 10:00 A.M. on Thursday, September 3, 2020. Vendors may submit their specification submittal sheets using either of the two following methods:

1. Electronically at <http://www.madison-co.com/bids>.
2. In a sealed envelope to the Madison County Chancery Clerk's office located in the Madison County Chancery Courthouse, Rooms 225-228, 146 West North Street, Canton, MS 39046. Specification submittal sheets submitted in paper form must have "Term Bids Specifications" written on the outside of the sealed envelope.

Vendors' term bid specification submittal sheets will be evaluated and vendors submitting acceptable specifications will be invited by email to submit priced bids via a live electronic reverse auction or sealed paper bids.

Final bidding for term bids will be held by live electronic reverse auctions on Tuesday, September 9, 2020 beginning at 10:00 A.M., with a scheduled ending time of 11:00 A.M. Qualified vendors can access the live reverse auction via the links distributed by email to qualified vendors. Anti-sniping will be utilized for the live electronic reverse auctions, which means that the bid deadline countdown will automatically reset to 5 minutes anytime a bid is received within the final 5 minutes of the reverse auction. The anti-sniping tool can extend the bid deadline multiple times until no bid is received in the final five minutes of the reverse auction.

Sealed bids may be submitted to the Madison County Chancery Clerk's office located in the Madison County Chancery Courthouse, Rooms 225-228, 146 West North Street, Canton, MS 39046 until 10:00 A.M. on Thursday, September 3, 2020. Sealed bids received by 10:00 A.M. on Tuesday, September 9, 2020 will be entered in the live electronic reverse auction by the county purchasing department. All paper bids must have "Term Bid" and "24" Diameter by Foot – HDPE (Plastic Pipes) and written on the outside of the sealed envelope.

NOTE: ALL FEDERAL TAXES AND FEES SHALL BE INCLUDED IN BID PRICES. ALL BID PRICES ARE LIMITED TO DOLLARS AND CENTS ONLY. NO FRACTIONS OF A CENT.

For use in determining if a vendor's location excludes it from participating in the reverse auction and in our calculations of lowest and best bid, note here the number of miles from your company plant to the Madison County Road Department:

20 Miles

The below signed company agrees that if it is awarded a Term Bid by the Madison County Board of Supervisors for 24" Diameter by Foot – HDPE (Plastic Pipes) that it will provide said product in a timely manner at the awarded term bid price for the duration of said term bid period. The below signed company further agrees that it will not load quantities of 24" Diameter by Foot – HDPE (Plastic Pipes) on Madison County trucks in an amount greater than is listed on the purchase order for each specific order. Furthermore, the below signed company agrees that in the event that it does load quantities of 24" Diameter by Foot – HDPE (Plastic Pipes) in quantities greater than is listed on the purchase order for a specific order that that it will neither bill nor hold Madison County responsible for the quantity of 24" Diameter by Foot – HDPE (Plastic Pipes) that exceeds the purchase order amount.

COMPANY NAME: GTO Supply

ADDRESS: 2052 FOREST AVE
JACKSON MS 39213

TELEPHONE: 601 366 7444

CELL PHONE NUMBER: 601 421 8926

EMAIL: dbroadwater@gosupplyinc.com

[Signature] 8/25/2020
AUTHORIZED REPRESENTATIVE'S SIGNATURE DATE

DAVIS M BROADWATER
PRINT AUTHORIZED REPRESENTATIVE'S NAME HERE

NOTE: ALL BID SHEETS MUST BE SIGNED AND DATED BY AN AUTHORIZED COMPANY REPRESENTATIVE.

ADS N-12® ST IB PIPE (per ASTM F2648) SPECIFICATION

Scope

This specification describes 4- through 60-inch (100 to 1500 mm) ADS N-12 ST IB pipe (per ASTM F2648) for use in gravity-flow land drainage applications.

Pipe Requirements

ADS N-12 ST IB pipe (per ASTM F2648) shall have a smooth interior and annular exterior corrugations.

- 4- through 60-inch (100 to 1500 mm) shall meet ASTM F2648.
- Manning's "n" value for use in design shall be 0.012.

Joint Performance

Pipe shall be joined using a bell & spigot joint meeting ASTM F2648. The joint shall be soil-tight and gaskets, when applicable, shall meet the requirements of ASTM F477. Gaskets shall be installed by the pipe manufacturer and covered with a removable wrap to ensure the gasket is free from debris. A joint lubricant supplied by the manufacturer shall be used on the gasket and bell during assembly.

Fittings

Fittings shall conform to ASTM F 2306. Bell and spigot connections shall utilize a spun-on or welded bell and valley or saddle gasket meeting the soil-tight joint performance requirements of ASTM F 2306.

Material Properties

Material for pipe production shall be an engineered compound of virgin and recycled high density polyethylene conforming with the minimum requirements of cell classification 424420C (ESCR Test Condition B) for 4- through 10-inch (100 to 250 mm) diameters, and 435420C (ESCR Test Condition B) for 12- through 60-inch (300 to 1500 mm) diameters, as defined and described in the latest version of ASTM D3350, except that carbon black content should not exceed 4%. The design engineer shall verify compatibility with overall system including structural, hydraulic, material and installation requirements for a given application.

Installation

Installation shall be in accordance with ASTM D2321 and ADS recommended installation guidelines, with the exception that minimum cover in trafficked areas for 4- through 48-inch (100 to 1200 mm) diameters shall be one foot. (0.3 m) and for 60-inch (1500 mm) diameters, the minimum cover shall be 2 ft. (0.6 m) in single run applications. Backfill for minimum cover situations shall consist of Class 1 (compacted), or Class 2 (minimum 90% SPD) material. Maximum fill heights depend on embedment material and compaction level; please refer to Technical Note 2.02. Contact your local ADS representative or visit our website at www.ads-pipe.com for a copy of the latest installation guidelines.

Pipe Dimensions

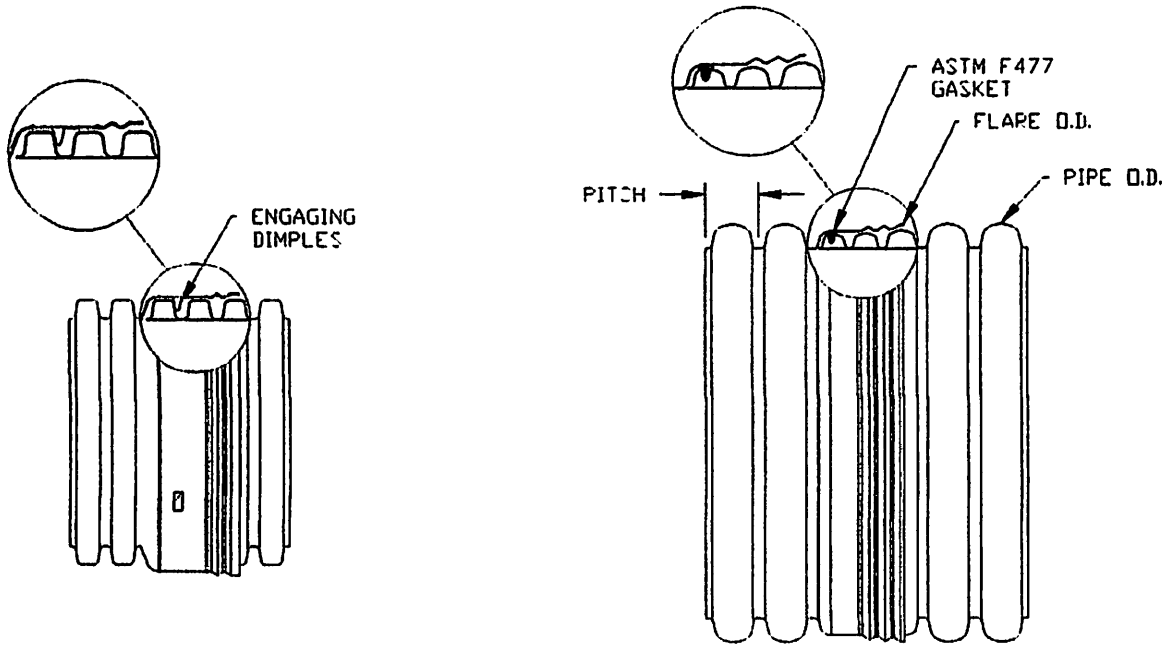
	Nominal Diameter, in (mm)													
Pipe I.D. in (mm)	4 (100)	6 (150)	8 (200)	10 (250)	12 (300)	15 (375)	18 (450)	24 (600)	30 (750)	36 (900)	42 (1050)	48 (1200)	54* (1350)	60 (1500)
Pipe O.D.** in (mm)	4.8 (122)	6.9 (175)	9.1 (231)	11.4 (290)	14.5 (368)	18 (457)	22 (559)	28 (711)	36 (914)	42 (1067)	48 (1219)	54 (1372)	61 (1548)	67 (1702)
Perforations	All diameters available with or without perforations.													

*Check with sales representative for availability by region.

**Pipe O.D. values are provided for reference purposes only, values stated for 12- through 60-inch are ± 1 inch. Contact a sales representative for exact values.

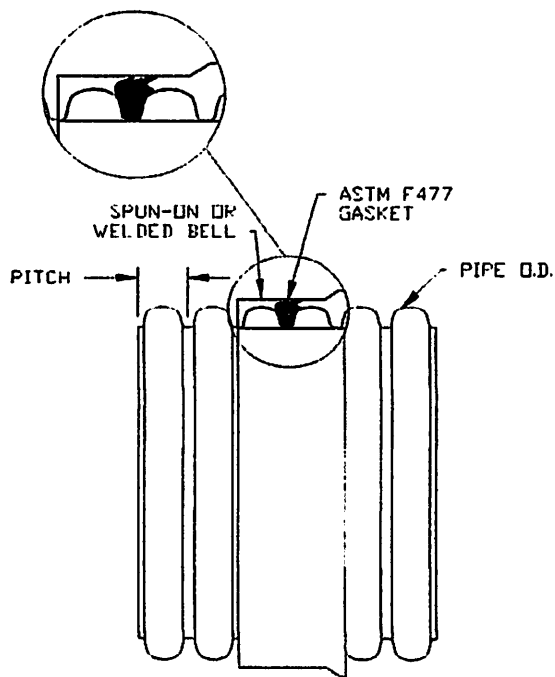
N-12[®] ST IB (per ASTM F2648) JOINT SYSTEM

(Joint configuration & availability subject to change without notice. Product detail may differ slightly from actual product appearance.)



4" - 10"
(100-250 MM)

12" - 60"
(300-1500 MM)



4" - 60"
(100-1500 MM)

MADISON COUNTY BOARD OF SUPERVISORS

**SPECIFICATION SUBMITTAL SHEET
(NO PRICES)**

**TERM BID FOR PERIOD OCTOBER 1, 2020 – SEPTEMBER 30, 2021
30" Diameter by Foot – HDPE (Plastic Pipes)
TO PICKED UP BY MADISON COUNTY**

**SPECIFICATION SUBMITTAL SHEET
DEADLINE: SEPTEMBER 3, 2020 – 10:00 A.M.**

Vendors' specification submittal sheet (with no prices) will be received until 10:00 A.M. on Thursday, September 3, 2020. Vendors may submit their specification submittal sheets using either of the two following methods:

1. Electronically at <http://www.madison-co.com/bids>.
2. In a sealed envelope to the Madison County Chancery Clerk's office located in the Madison County Chancery Courthouse, Rooms 225-228, 146 West North Street, Canton, MS 39046. Specification submittal sheets submitted in paper form must have "Term Bids Specifications" written on the outside of the sealed envelope.

Vendors' term bid specification submittal sheets will be evaluated and vendors submitting acceptable specifications will be invited by email to submit priced bids via a live electronic reverse auction or sealed paper bids.

Final bidding for term bids will be held by live electronic reverse auctions on Tuesday, September 9, 2020 beginning at 10:00 A.M., with a scheduled ending time of 11:00 A.M. Qualified vendors can access the live reverse auction via the links distributed by email to qualified vendors. Anti-sniping will be utilized for the live electronic reverse auctions, which means that the bid deadline countdown will automatically reset to 5 minutes anytime a bid is received within the final 5 minutes of the reverse auction. The anti-sniping tool can extend the bid deadline multiple times until no bid is received in the final five minutes of the reverse auction.

Sealed bids may be submitted to the Madison County Chancery Clerk's office located in the Madison County Chancery Courthouse, Rooms 225-228, 146 West North Street, Canton, MS 39046 until 10:00 A.M. on Thursday, September 3, 2020. Sealed bids received by 10:00 A.M. on Tuesday, September 9, 2020 will be entered in the live electronic reverse auction by the county purchasing department. All paper bids must have "Term Bid" and "30" Diameter by Foot – HDPE (Plastic Pipes)" and written on the outside of the sealed envelope.

NOTE: ALL FEDERAL TAXES AND FEES SHALL BE INCLUDED IN BID PRICES. ALL BID PRICES ARE LIMITED TO DOLLARS AND CENTS ONLY. NO FRACTIONS OF A CENT.

For use in determining if a vendor's location excludes it from participating in the reverse auction and in our calculations of lowest and best bid, note here the number of miles from your company plant to the Madison County Road Department:

20 Miles

The below signed company agrees that if it is awarded a Term Bid by the Madison County Board of Supervisors for 30" Diameter by Foot – HDPE (Plastic Pipes) that it will provide said product in a timely manner at the awarded term bid price for the duration of said term bid period. The below signed company further agrees that it will not load quantities of 30" Diameter by Foot – HDPE (Plastic Pipes) on Madison County trucks in an amount greater than is listed on the purchase order for each specific order. Furthermore, the below signed company agrees that in the event that it does load quantities of 30" Diameter by Foot – HDPE (Plastic Pipes) in quantities greater than is listed on the purchase order for a specific order that that it will neither bill nor hold Madison County responsible for the quantity of 30" Diameter by Foot – HDPE (Plastic Pipes) that exceeds the purchase order amount.

COMPANY NAME: G+O Supply

ADDRESS: 2052 FOREST AVE
JACKSON MS 39213

TELEPHONE: 601 366 7444

CELL PHONE NUMBER: 601 421 8926

EMAIL: dbroadwater@gosupplyinc.com

[Signature] 8/25/2020
AUTHORIZED REPRESENTATIVE'S SIGNATURE DATE

DAVIS M BROADWATER
PRINT AUTHORIZED REPRESENTATIVE'S NAME HERE

NOTE: ALL BID SHEETS MUST BE SIGNED AND DATED BY AN AUTHORIZED COMPANY REPRESENTATIVE.

ADS N-12® ST IB PIPE (per ASTM F2648) SPECIFICATION

Scope

This specification describes 4- through 60-inch (100 to 1500 mm) ADS N-12 ST IB pipe (per ASTM F2648) for use in gravity-flow land drainage applications.

Pipe Requirements

ADS N-12 ST IB pipe (per ASTM F2648) shall have a smooth interior and annular exterior corrugations.

- 4- through 60-inch (100 to 1500 mm) shall meet ASTM F2648.
- Manning's "n" value for use in design shall be 0.012.

Joint Performance

Pipe shall be joined using a bell & spigot joint meeting ASTM F2648. The joint shall be soil-tight and gaskets, when applicable, shall meet the requirements of ASTM F477. Gaskets shall be installed by the pipe manufacturer and covered with a removable wrap to ensure the gasket is free from debris. A joint lubricant supplied by the manufacturer shall be used on the gasket and bell during assembly.

Fittings

Fittings shall conform to ASTM F 2306. Bell and spigot connections shall utilize a spun-on or welded bell and valley or saddle gasket meeting the soil-tight joint performance requirements of ASTM F 2306.

Material Properties

Material for pipe production shall be an engineered compound of virgin and recycled high density polyethylene conforming with the minimum requirements of cell classification 424420C (ESCR Test Condition B) for 4- through 10-inch (100 to 250 mm) diameters, and 435420C (ESCR Test Condition B) for 12- through 60-inch (300 to 1500 mm) diameters, as defined and described in the latest version of ASTM D3350, except that carbon black content should not exceed 4%. The design engineer shall verify compatibility with overall system including structural, hydraulic, material and installation requirements for a given application.

Installation

Installation shall be in accordance with ASTM D2321 and ADS recommended installation guidelines, with the exception that minimum cover in trafficked areas for 4- through 48-inch (100 to 1200 mm) diameters shall be one foot. (0.3 m) and for 60-inch (1500 mm) diameters, the minimum cover shall be 2 ft. (0.6 m) in single run applications. Backfill for minimum cover situations shall consist of Class 1 (compacted), or Class 2 (minimum 90% SPD) material. Maximum fill heights depend on embedment material and compaction level; please refer to Technical Note 2.02. Contact your local ADS representative or visit our website at www.ads-pipe.com for a copy of the latest installation guidelines.

Pipe Dimensions

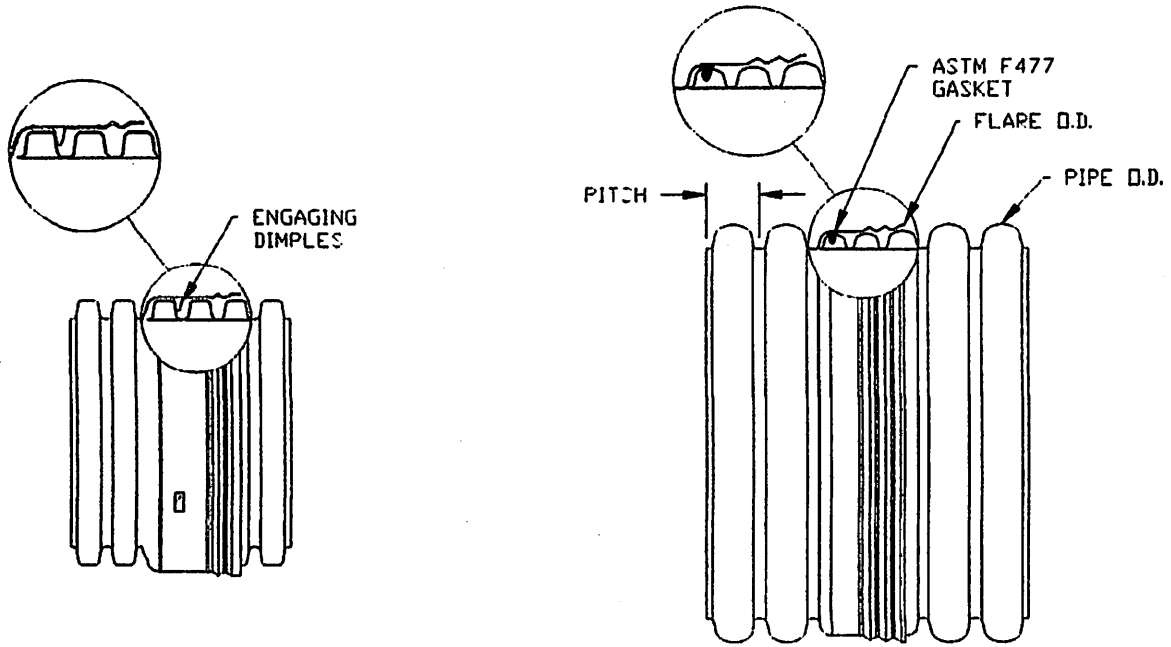
	Nominal Diameter, in (mm)													
Pipe I.D. in (mm)	4 (100)	6 (150)	8 (200)	10 (250)	12 (300)	15 (375)	18 (450)	24 (600)	30 (750)	36 (900)	42 (1050)	48 (1200)	54* (1350)	60 (1500)
Pipe O.D.** in (mm)	4.8 (122)	6.9 (175)	9.1 (231)	11.4 (290)	14.6 (368)	18 (457)	22 (559)	28 (711)	36 (914)	42 (1067)	48 (1219)	54 (1372)	61 (1549)	67 (1702)
Perforations	All diameters available with or without perforations.													

*Check with sales representative for availability by region.

**Pipe O.D. values are provided for reference purposes only, values stated for 12- through 60-inch are ± 1 inch. Contact a sales representative for exact values.

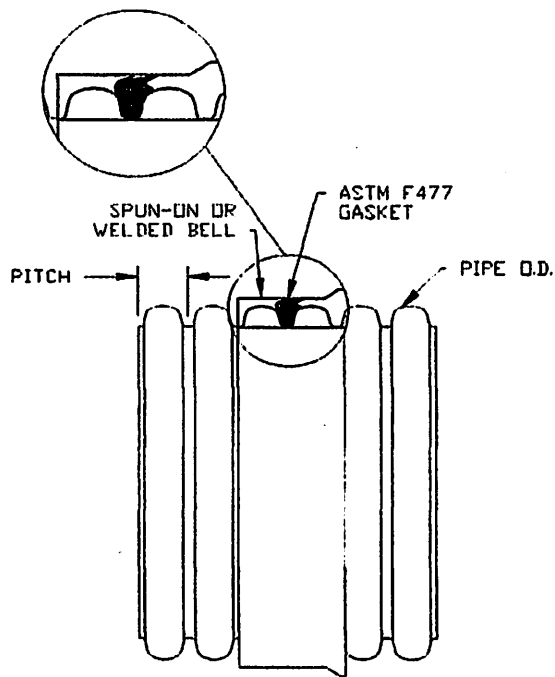
N-12® ST IB (per ASTM F2648) JOINT SYSTEM

(Joint configuration & availability subject to change without notice. Product detail may differ slightly from actual product appearance.)



4" - 10"
(100-250 MM)

12" - 60"
(300-1500 MM)



4" - 60"
(100-1500 MM)

MADISON COUNTY BOARD OF SUPERVISORS

SPECIFICATION SUBMITTAL SHEET (NO PRICES)

**TERM BID FOR PERIOD OCTOBER 1, 2020 – SEPTEMBER 30, 2021
24” BAND – HDPE (Plastic Pipes)
TO PICKED UP BY MADISON COUNTY**

**SPECIFICATION SUBMITTAL SHEET
DEADLINE: SEPTEMBER 3, 2020 – 10:00 A.M.**

Vendors' specification submittal sheet (with no prices) will be received until 10:00 A.M. on Thursday, September 3, 2020. Vendors may submit their specification submittal sheets using either of the two following methods:

1. Electronically at <http://www.madison-co.com/bids>.
2. In a sealed envelope to the Madison County Chancery Clerk's office located in the Madison County Chancery Courthouse, Rooms 225-228, 146 West North Street, Canton, MS 39046. Specification submittal sheets submitted in paper form must have "Term Bids Specifications" written on the outside of the sealed envelope.

Vendors' term bid specification submittal sheets will be evaluated and vendors submitting acceptable specifications will be invited by email to submit priced bids via a live electronic reverse auction or sealed paper bids.

Final bidding for term bids will be held by live electronic reverse auctions on Tuesday, September 9, 2020 beginning at 10:00 A.M., with a scheduled ending time of 11:00 A.M. Qualified vendors can access the live reverse auction via the links distributed by email to qualified vendors. Anti-sniping will be utilized for the live electronic reverse auctions, which means that the bid deadline countdown will automatically reset to 5 minutes anytime a bid is received within the final 5 minutes of the reverse auction. The anti-sniping tool can extend the bid deadline multiple times until no bid is received in the final five minutes of the reverse auction.

Sealed bids may be submitted to the Madison County Chancery Clerk's office located in the Madison County Chancery Courthouse, Rooms 225-228, 146 West North Street, Canton, MS 39046 until 10:00 A.M. on Thursday, September 3, 2020. Sealed bids received by 10:00 A.M. on Tuesday, September 9, 2020 will be entered in the live electronic reverse auction by the county purchasing department. All paper bids must have "Term Bid" and "24" Band – HDPE (Plastic Pipes)" and written on the outside of the sealed envelope.

NOTE: ALL FEDERAL TAXES AND FEES SHALL BE INCLUDED IN BID PRICES. ALL BID PRICES ARE LIMITED TO DOLLARS AND CENTS ONLY. NO FRACTIONS OF A CENT.

For use in determining if a vendor's location excludes it from participating in the reverse auction and in our calculations of lowest and best bid, note here the number of miles from your company plant to the Madison County Road Department:

20 Miles

The below signed company agrees that if it is awarded a Term Bid by the Madison County Board of Supervisors for 24" Band – HDPE (Plastic Pipes) that it will provide said product in a timely manner at the awarded term bid price for the duration of said term bid period. The below signed company further agrees that it will not load quantities of 24" Band – HDPE (Plastic Pipes) on Madison County trucks in an amount greater than is listed on the purchase order for each specific order. Furthermore, the below signed company agrees that in the event that it does load quantities of 24" Band – HDPE (Plastic Pipes) in quantities greater than is listed on the purchase order for a specific order that that it will neither bill nor hold Madison County responsible for the quantity of 24" Band – HDPE (Plastic Pipes) that exceeds the purchase order amount.

COMPANY NAME: GTO Supply

ADDRESS: 2052 FOREST AVE
JACKSON MS 39213

TELEPHONE: 601 366 7444

CELL PHONE NUMBER: 601 421 8926

EMAIL: dbroadwater@gosupplyinc.com

[Signature] 8/25/2020
AUTHORIZED REPRESENTATIVE'S SIGNATURE DATE

DAVIS M BROADWATER
PRINT AUTHORIZED REPRESENTATIVE'S NAME HERE

NOTE: ALL BID SHEETS MUST BE SIGNED AND DATED BY AN AUTHORIZED COMPANY REPRESENTATIVE.

ADS N-12® ST IB PIPE (per ASTM F2648) SPECIFICATION

Scope

This specification describes 4- through 60-inch (100 to 1500 mm) ADS N-12 ST IB pipe (per ASTM F2648) for use in gravity-flow land drainage applications.

Pipe Requirements

ADS N-12 ST IB pipe (per ASTM F2648) shall have a smooth interior and annular exterior corrugations.

- 4- through 60-inch (100 to 1500 mm) shall meet ASTM F2648.
- Manning's "n" value for use in design shall be 0.012.

Joint Performance

Pipe shall be joined using a bell & spigot joint meeting ASTM F2648. The joint shall be soil-tight and gaskets, when applicable, shall meet the requirements of ASTM F477. Gaskets shall be installed by the pipe manufacturer and covered with a removable wrap to ensure the gasket is free from debris. A joint lubricant supplied by the manufacturer shall be used on the gasket and bell during assembly.

Fittings

Fittings shall conform to ASTM F 2306. Bell and spigot connections shall utilize a spun-on or welded bell and valley or saddle gasket meeting the soil-tight joint performance requirements of ASTM F 2306.

Material Properties

Material for pipe production shall be an engineered compound of virgin and recycled high density polyethylene conforming with the minimum requirements of cell classification 424420C (ESCR Test Condition B) for 4- through 10-inch (100 to 250 mm) diameters, and 435420C (ESCR Test Condition B) for 12- through 60-inch (300 to 1500 mm) diameters, as defined and described in the latest version of ASTM D3350, except that carbon black content should not exceed 4%. The design engineer shall verify compatibility with overall system including structural, hydraulic, material and installation requirements for a given application.

Installation

Installation shall be in accordance with ASTM D2321 and ADS recommended installation guidelines, with the exception that minimum cover in trafficked areas for 4- through 48-inch (100 to 1200 mm) diameters shall be one foot. (0.3 m) and for 60-inch (1500 mm) diameters, the minimum cover shall be 2 ft. (0.6 m) in single run applications. Backfill for minimum cover situations shall consist of Class 1 (compacted), or Class 2 (minimum 90% SPD) material. Maximum fill heights depend on embedment material and compaction level; please refer to Technical Note 2.02. Contact your local ADS representative or visit our website at www.ads-pipe.com for a copy of the latest installation guidelines.

Pipe Dimensions

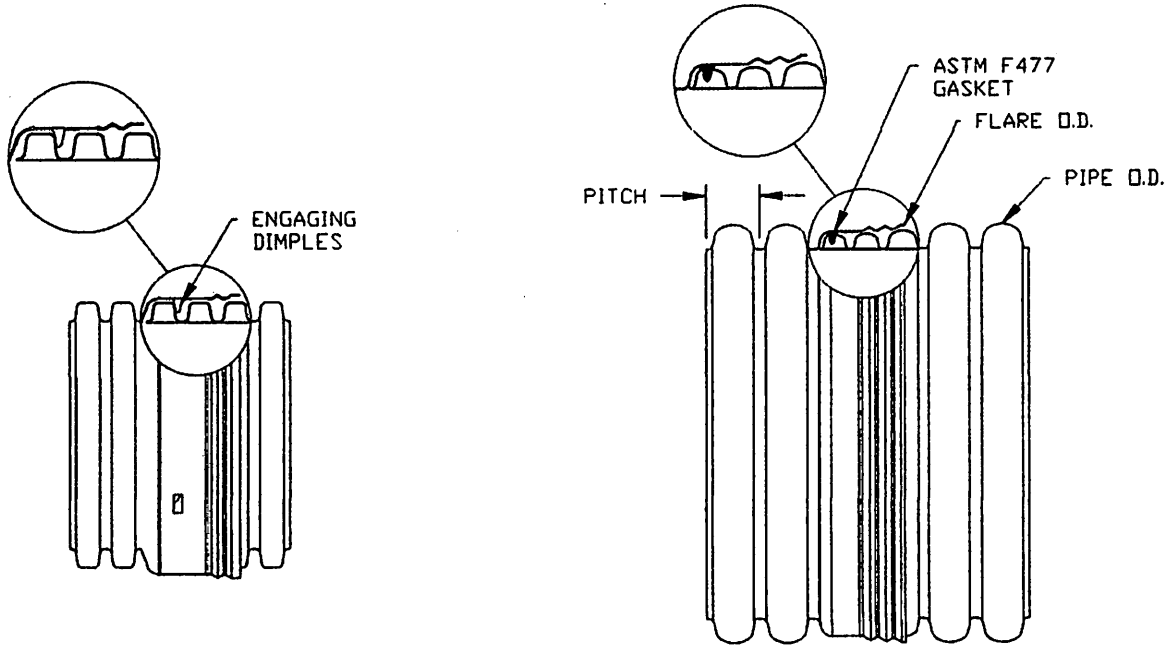
	Nominal Diameter, in (mm)													
Pipe I.D. in (mm)	4 (100)	6 (150)	8 (200)	10 (250)	12 (300)	15 (375)	18 (450)	24 (600)	30 (750)	36 (900)	42 (1050)	48 (1200)	54* (1350)	60 (1500)
Pipe O.D.** in (mm)	4.8 (122)	6.9 (175)	9.1 (231)	11.4 (290)	14.5 (368)	18 (457)	22 (559)	28 (711)	36 (914)	42 (1067)	48 (1219)	54 (1372)	61 (1549)	67 (1702)
Perforations	All diameters available with or without perforations.													

*Check with sales representative for availability by region.

**Pipe O.D. values are provided for reference purposes only, values stated for 12- through 60-inch are ± 1 inch. Contact a sales representative for exact values.

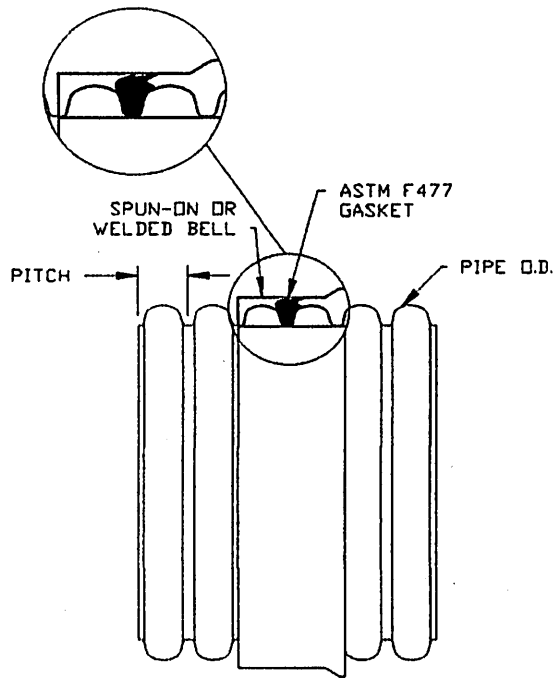
N-12® ST IB (per ASTM F2648) JOINT SYSTEM

(Joint configuration & availability subject to change without notice. Product detail may differ slightly from actual product appearance.)



4' - 10'
(100-250 MM)

12' - 60'
(300-1500 MM)



4' - 60'
(100-1500 MM)

MADISON COUNTY BOARD OF SUPERVISORS

**SPECIFICATION SUBMITTAL SHEET
(NO PRICES)**

**TERM BID FOR PERIOD OCTOBER 1, 2020 – SEPTEMBER 30, 2021
30" BAND – HDPE (Plastic Pipes)
TO PICKED UP BY MADISON COUNTY**

**SPECIFICATION SUBMITTAL SHEET
DEADLINE: SEPTEMBER 3, 2020 – 10:00 A.M.**

Vendors' specification submittal sheet (with no prices) will be received until 10:00 A.M. on Thursday, September 3, 2020. Vendors may submit their specification submittal sheets using either of the two following methods:

1. Electronically at <http://www.madison-co.com/bids>.
2. In a sealed envelope to the Madison County Chancery Clerk's office located in the Madison County Chancery Courthouse, Rooms 225-228, 146 West North Street, Canton, MS 39046. Specification submittal sheets submitted in paper form must have "Term Bids Specifications" written on the outside of the sealed envelope.

Vendors' term bid specification submittal sheets will be evaluated and vendors submitting acceptable specifications will be invited by email to submit priced bids via a live electronic reverse auction or sealed paper bids.

Final bidding for term bids will be held by live electronic reverse auctions on Tuesday, September 9, 2020 beginning at 10:00 A.M., with a scheduled ending time of 11:00 A.M. Qualified vendors can access the live reverse auction via the links distributed by email to qualified vendors. Anti-sniping will be utilized for the live electronic reverse auctions, which means that the bid deadline countdown will automatically reset to 5 minutes anytime a bid is received within the final 5 minutes of the reverse auction. The anti-sniping tool can extend the bid deadline multiple times until no bid is received in the final five minutes of the reverse auction.

Sealed bids may be submitted to the Madison County Chancery Clerk's office located in the Madison County Chancery Courthouse, Rooms 225-228, 146 West North Street, Canton, MS 39046 until 10:00 A.M. on Thursday, September 3, 2020. Sealed bids received by 10:00 A.M. on Tuesday, September 9, 2020 will be entered in the live electronic reverse auction by the county purchasing department. All paper bids must have "Term Bid" and "30" Band – HDPE (Plastic Pipe)" and written on the outside of the sealed envelope.

NOTE: ALL FEDERAL TAXES AND FEES SHALL BE INCLUDED IN BID PRICES. ALL BID PRICES ARE LIMITED TO DOLLARS AND CENTS ONLY. NO FRACTIONS OF A CENT.

For use in determining if a vendor's location excludes it from participating in the reverse auction and in our calculations of lowest and best bid, note here the number of miles from your company plant to the Madison County Road Department:

20 Miles

The below signed company agrees that if it is awarded a Term Bid by the Madison County Board of Supervisors for 30" Band – HDPE (Plastic Pipes) that it will provide said product in a timely manner at the awarded term bid price for the duration of said term bid period. The below signed company further agrees that it will not load quantities of 30" Band – HDPE (Plastic Pipes) on Madison County trucks in an amount greater than is listed on the purchase order for each specific order. Furthermore, the below signed company agrees that in the event that it does load quantities of 30" Band - HDPE (Plastic Pipes) in quantities greater than is listed on the purchase order for a specific order that it will neither bill nor hold Madison County responsible for the quantity of 30" Band – HDPE (Plastic Pipes) that exceeds the purchase order amount.

COMPANY NAME: Gto Supply

ADDRESS: 2052 FOREST AVE
JACKSON MS 39213

TELEPHONE: 601 366 7444

CELL PHONE NUMBER: 601 421 8926

EMAIL: dbroadwater@gosupplyinc.com

[Signature] 8/25/2020
AUTHORIZED REPRESENTATIVE'S SIGNATURE DATE

DAVIS M BROADWATER
PRINT AUTHORIZED REPRESENTATIVE'S NAME HERE

NOTE: ALL BID SHEETS MUST BE SIGNED AND DATED BY AN AUTHORIZED COMPANY REPRESENTATIVE.

ADS N-12® ST IB PIPE (per ASTM F2648) SPECIFICATION

Scope

This specification describes 4- through 60-inch (100 to 1500 mm) ADS N-12 ST IB pipe (per ASTM F2648) for use in gravity-flow land drainage applications.

Pipe Requirements

ADS N-12 ST IB pipe (per ASTM F2648) shall have a smooth interior and annular exterior corrugations.

- 4- through 60-inch (100 to 1500 mm) shall meet ASTM F2648.
- Manning's "n" value for use in design shall be 0.012.

Joint Performance

Pipe shall be joined using a bell & spigot joint meeting ASTM F2648. The joint shall be soil-tight and gaskets, when applicable, shall meet the requirements of ASTM F477. Gaskets shall be installed by the pipe manufacturer and covered with a removable wrap to ensure the gasket is free from debris. A joint lubricant supplied by the manufacturer shall be used on the gasket and bell during assembly.

Fittings

Fittings shall conform to ASTM F 2306. Bell and spigot connections shall utilize a spun-on or welded bell and valley or saddle gasket meeting the soil-tight joint performance requirements of ASTM F 2306.

Material Properties

Material for pipe production shall be an engineered compound of virgin and recycled high density polyethylene conforming with the minimum requirements of cell classification 424420C (ESCR Test Condition B) for 4- through 10-inch (100 to 250 mm) diameters, and 435420C (ESCR Test Condition B) for 12- through 60-inch (300 to 1500 mm) diameters, as defined and described in the latest version of ASTM D3350, except that carbon black content should not exceed 4%. The design engineer shall verify compatibility with overall system including structural, hydraulic, material and installation requirements for a given application.

Installation

Installation shall be in accordance with ASTM D2321 and ADS recommended installation guidelines, with the exception that minimum cover in trafficked areas for 4- through 48-inch (100 to 1200 mm) diameters shall be one foot. (0.3 m) and for 60-inch (1500 mm) diameters, the minimum cover shall be 2 ft. (0.6 m) in single run applications. Backfill for minimum cover situations shall consist of Class 1 (compacted), or Class 2 (minimum 90% SPD) material. Maximum fill heights depend on embedment material and compaction level; please refer to Technical Note 2.02. Contact your local ADS representative or visit our website at www.ads-pipe.com for a copy of the latest installation guidelines.

Pipe Dimensions

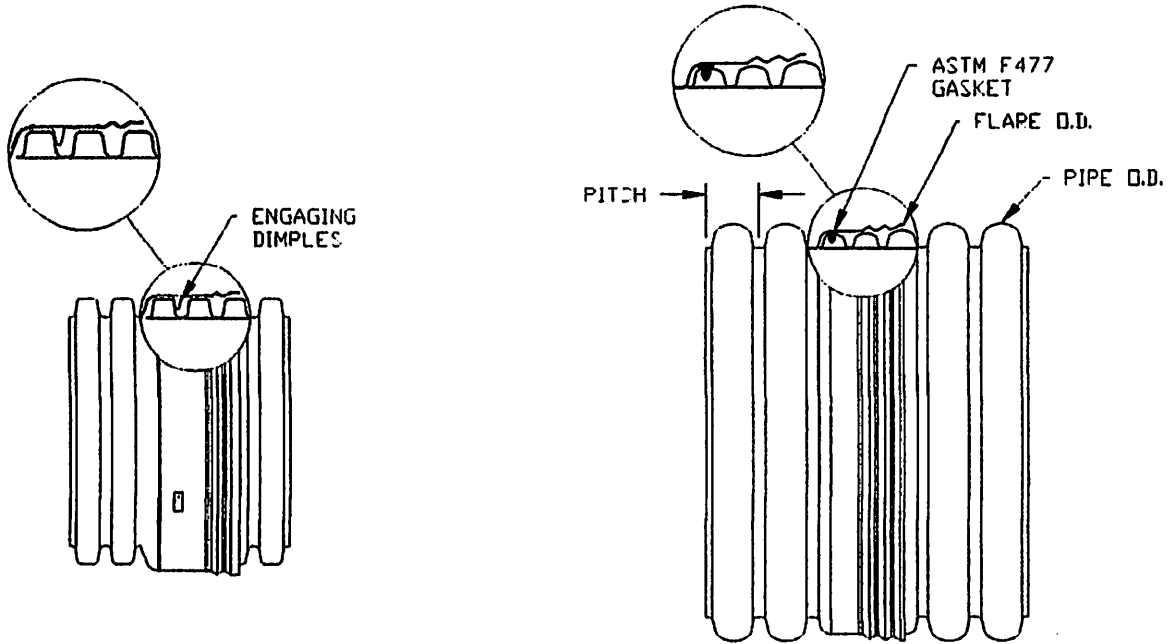
	Nominal Diameter, in (mm)													
Pipe I.D. in (mm)	4 (100)	6 (150)	8 (200)	10 (250)	12 (300)	15 (375)	18 (450)	24 (600)	30 (750)	36 (900)	42 (1050)	48 (1200)	54* (1350)	60 (1500)
Pipe O.D.** in (mm)	4.8 (122)	6.9 (175)	9.1 (231)	11.4 (290)	14.5 (368)	18 (457)	22 (559)	28 (711)	36 (914)	42 (1067)	48 (1219)	54 (1372)	61 (1549)	67 (1702)
Perforations	All diameters available with or without perforations.													

*Check with sales representative for availability by region.

**Pipe O.D. values are provided for reference purposes only, values stated for 12- through 60-inch are ± 1 inch. Contact a sales representative for exact values.

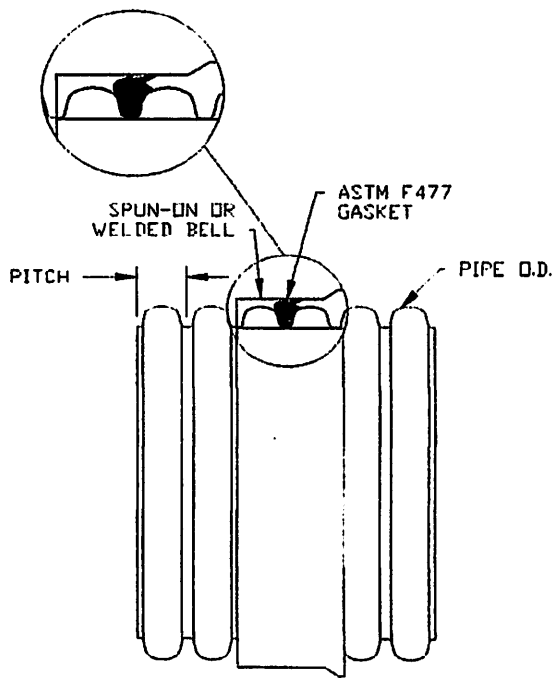
N-12® ST IB (per ASTM F2648) JOINT SYSTEM

(Joint configuration & availability subject to change without notice. Product detail may differ slightly from actual product appearance.)



4" - 10"
(100-250 MM)

12" - 60"
(300-1500 MM)



4" - 60"
(100-1500 MM)

SOUTHERN PIPE & SUPPLY CO., INC.
354 U S HWY 49 FRONTAGE ROAD
RICHLAND, MS 39218

1:35 P.M.

FILLED
MADISON COUNTY

SEP 01 2020

RONNY LOTT, CHANCERY CLERK

BY

[Handwritten signature]

TERM Bid Specifications
HDPE (Plastic Pipe)

MADISON COUNTY BOARD OF SUPERVISORS

SPECIFICATION SUBMITTAL SHEET (NO PRICES)

TERM BID FOR PERIOD OCTOBER 1, 2020 – SEPTEMBER 30, 2021 12” Diameter by Foot – HDPE (Plastic Pipe) TO PICKED UP BY MADISON COUNTY

SPECIFICATION SUBMITTAL SHEET DEADLINE: SEPTEMBER 3, 2020 – 10:00 A.M.

Vendors' specification submittal sheet (with no prices) will be received until 10:00 A.M. on Thursday, September 3, 2020. Vendors may submit their specification submittal sheets using either of the two following methods:

1. Electronically at <http://www.madison-co.com/bids>.
2. In a sealed envelope to the Madison County Chancery Clerk's office located in the Madison County Chancery Courthouse, Rooms 225-228, 146 West North Street, Canton, MS 39046. Specification submittal sheets submitted in paper form must have "Term Bids Specifications" written on the outside of the sealed envelope.

Vendors' term bid specification submittal sheets will be evaluated and vendors submitting acceptable specifications will be invited by email to submit priced bids via a live electronic reverse auction or sealed paper bids.

Final bidding for term bids will be held by live electronic reverse auctions on Tuesday, September 9, 2020 beginning at 10:00 A.M., with a scheduled ending time of 11:00 A.M. Qualified vendors can access the live reverse auction via the links distributed by email to qualified vendors. Anti-sniping will be utilized for the live electronic reverse auctions, which means that the bid deadline countdown will automatically reset to 5 minutes anytime a bid is received within the final 5 minutes of the reverse auction. The anti-sniping tool can extend the bid deadline multiple times until no bid is received in the final five minutes of the reverse auction.

Sealed bids may be submitted to the Madison County Chancery Clerk's office located in the Madison County Chancery Courthouse, Rooms 225-228, 146 West North Street, Canton, MS 39046 until 10:00 A.M. on Thursday, September 3, 2020. Sealed bids received by 10:00 A.M. on Tuesday, September 9, 2020 will be entered in the live electronic reverse auction by the county purchasing department. All paper bids must have "Term Bid" and "12" Diameter by Foot" and written on the outside of the sealed envelope.

NOTE: ALL FEDERAL TAXES AND FEES SHALL BE INCLUDED IN BID PRICES. ALL BID PRICES ARE LIMITED TO DOLLARS AND CENTS ONLY. NO FRACTIONS OF A CENT.

For use in determining if a vendor's location excludes it from participating in the reverse auction and in our calculations of lowest and best bid, note here the number of miles from your company plant to the Madison County Road Department:

20 Miles

The below signed company agrees that if it is awarded a Term Bid by the Madison County Board of Supervisors for 12" Diameter by Foot that it will provide said product in a timely manner at the awarded term bid price for the duration of said term bid period. The below signed company further agrees that it will not load quantities of 12" Diameter by Foot on Madison County trucks in an amount greater than is listed on the purchase order for each specific order. Furthermore, the below signed company agrees that in the event that it does load quantities of 12" Diameter by Foot in quantities greater than is listed on the purchase order for a specific order that that it will neither bill nor hold Madison County responsible for the quantity of 12" Diameter by Foot that exceeds the purchase order amount.

COMPANY NAME: Southern Pipe Water & Sewer

ADDRESS: 354 US Hwy 49 Frontage Rd.
Richland MS. 39218

TELEPHONE: 601-326-1700

CELL PHONE NUMBER: 601-613-4622

EMAIL: David.Cole@SouthernPipe.com

David Cole 9-1-20
AUTHORIZED REPRESENTATIVE'S SIGNATURE DATE

David Cole
PRINT AUTHORIZED REPRESENTATIVE'S NAME HERE

NOTE: ALL BID SHEETS MUST BE SIGNED AND DATED BY AN AUTHORIZED COMPANY REPRESENTATIVE.

MADISON COUNTY BOARD OF SUPERVISORS

SPECIFICATION SUBMITTAL SHEET (NO PRICES)

TERM BID FOR PERIOD OCTOBER 1, 2020 – SEPTEMBER 30, 2021 15” Diameter by Foot – HDPE (Plastic Pipes) TO PICKED UP BY MADISON COUNTY

SPECIFICATION SUBMITTAL SHEET DEADLINE: SEPTEMBER 3, 2020 – 10:00 A.M.

Vendors' specification submittal sheet (with no prices) will be received until 10:00 A.M. on Thursday, September 3, 2020. Vendors may submit their specification submittal sheets using either of the two following methods:

1. Electronically at <http://www.madison-co.com/bids>.
2. In a sealed envelope to the Madison County Chancery Clerk's office located in the Madison County Chancery Courthouse, Rooms 225-228, 146 West North Street, Canton, MS 39046. Specification submittal sheets submitted in paper form must have "Term Bids Specifications" written on the outside of the sealed envelope.

Vendors' term bid specification submittal sheets will be evaluated and vendors submitting acceptable specifications will be invited by email to submit priced bids via a live electronic reverse auction or sealed paper bids.

Final bidding for term bids will be held by live electronic reverse auctions on Tuesday, September 9, 2020 beginning at 10:00 A.M., with a scheduled ending time of 11:00 A.M. Qualified vendors can access the live reverse auction via the links distributed by email to qualified vendors. Anti-sniping will be utilized for the live electronic reverse auctions, which means that the bid deadline countdown will automatically reset to 5 minutes anytime a bid is received within the final 5 minutes of the reverse auction. The anti-sniping tool can extend the bid deadline multiple times until no bid is received in the final five minutes of the reverse auction.

Sealed bids may be submitted to the Madison County Chancery Clerk's office located in the Madison County Chancery Courthouse, Rooms 225-228, 146 West North Street, Canton, MS 39046 until 10:00 A.M. on Thursday, September 3, 2020. Sealed bids received by 10:00 A.M. on Tuesday, September 9, 2020 will be entered in the live electronic reverse auction by the county purchasing department. All paper bids must have "Term Bid" and "15" Diameter by Foot – HDPE (Plastic Pipes)" and written on the outside of the sealed envelope.

NOTE: ALL FEDERAL TAXES AND FEES SHALL BE INCLUDED IN BID PRICES. ALL BID PRICES ARE LIMITED TO DOLLARS AND CENTS ONLY. NO FRACTIONS OF A CENT.

For use in determining if a vendor's location excludes it from participating in the reverse auction and in our calculations of lowest and best bid, note here the number of miles from your company plant to the Madison County Road Department:

20 Miles

The below signed company agrees that if it is awarded a Term Bid by the Madison County Board of Supervisors for 15" Diameter by Foot – HDPE (Plastic Pipes) that it will provide said product in a timely manner at the awarded term bid price for the duration of said term bid period. The below signed company further agrees that it will not load quantities of 15" Diameter by Foot – HDPE (Plastic Pipes) on Madison County trucks in an amount greater than is listed on the purchase order for each specific order. Furthermore, the below signed company agrees that in the event that it does load quantities of 15" Diameter by Foot – HDPE (Plastic Pipes) in quantities greater than is listed on the purchase order for a specific order that that it will neither bill nor hold Madison County responsible for the quantity of 15" Diameter by Foot – HDPE (Plastic Pipes) that exceeds the purchase order amount.

COMPANY NAME: Southern Pipe Water & Sewer

ADDRESS: 354 US Hwy. 49 Frontage Rd.
Richland MS. 39218

TELEPHONE: 601-326-1700

CELL PHONE NUMBER: 601-613-4022

EMAIL: David.Cole@SouthernPipe.com

David Cole 9-1-20
AUTHORIZED REPRESENTATIVE'S SIGNATURE DATE

David Cole
PRINT AUTHORIZED REPRESENTATIVE'S NAME HERE

NOTE: ALL BID SHEETS MUST BE SIGNED AND DATED BY AN AUTHORIZED COMPANY REPRESENTATIVE.

MADISON COUNTY BOARD OF SUPERVISORS

SPECIFICATION SUBMITTAL SHEET (NO PRICES)

**TERM BID FOR PERIOD OCTOBER 1, 2020 – SEPTEMBER 30, 2021
18” Diameter by Foot – HDPE (Plastic Pipes)
TO PICKED UP BY MADISON COUNTY**

**SPECIFICATION SUBMITTAL SHEET
DEADLINE: SEPTEMBER 3, 2020 – 10:00 A.M.**

Vendors' specification submittal sheet (with no prices) will be received until 10:00 A.M. on Thursday, September 3, 2020. Vendors may submit their specification submittal sheets using either of the two following methods:

1. Electronically at <http://www.madison-co.com/bids>.
2. In a sealed envelope to the Madison County Chancery Clerk's office located in the Madison County Chancery Courthouse, Rooms 225-228, 146 West North Street, Canton, MS 39046. Specification submittal sheets submitted in paper form must have "Term Bids Specifications" written on the outside of the sealed envelope.

Vendors' term bid specification submittal sheets will be evaluated and vendors submitting acceptable specifications will be invited by email to submit priced bids via a live electronic reverse auction or sealed paper bids.

Final bidding for term bids will be held by live electronic reverse auctions on Tuesday, September 9, 2020 beginning at 10:00 A.M., with a scheduled ending time of 11:00 A.M. Qualified vendors can access the live reverse auction via the links distributed by email to qualified vendors. Anti-sniping will be utilized for the live electronic reverse auctions, which means that the bid deadline countdown will automatically reset to 5 minutes anytime a bid is received within the final 5 minutes of the reverse auction. The anti-sniping tool can extend the bid deadline multiple times until no bid is received in the final five minutes of the reverse auction.

Sealed bids may be submitted to the Madison County Chancery Clerk's office located in the Madison County Chancery Courthouse, Rooms 225-228, 146 West North Street, Canton, MS 39046 until 10:00 A.M. on Thursday, September 3, 2020. Sealed bids received by 10:00 A.M. on Tuesday, September 9, 2020 will be entered in the live electronic reverse auction by the county purchasing department. All paper bids must have "Term Bid" and "18" Diameter by Foot – HDPE (Plastic Pipes)" and written on the outside of the sealed envelope.

NOTE: ALL FEDERAL TAXES AND FEES SHALL BE INCLUDED IN BID PRICES. ALL BID PRICES ARE LIMITED TO DOLLARS AND CENTS ONLY. NO FRACTIONS OF A CENT.

For use in determining if a vendor's location excludes it from participating in the reverse auction and in our calculations of lowest and best bid, note here the number of miles from your company plant to the Madison County Road Department:

20 Miles

The below signed company agrees that if it is awarded a Term Bid by the Madison County Board of Supervisors for 18" Diameter by Foot – HDPE (Plastic Pipes) that it will provide said product in a timely manner at the awarded term bid price for the duration of said term bid period. The below signed company further agrees that it will not load quantities of 18" Diameter by Foot – HDPE (Plastic Pipes) on Madison County trucks in an amount greater than is listed on the purchase order for each specific order. Furthermore, the below signed company agrees that in the event that it does load quantities of 18" Diameter by Foot – HDPE (Plastic Pipes) in quantities greater than is listed on the purchase order for a specific order that that it will neither bill nor hold Madison County responsible for the quantity of 18" Diameter by Foot – HDPE (Plastic Pipes) that exceeds the purchase order amount.

COMPANY NAME: Southern Pipe Water & Sewer

ADDRESS: 354 US Hwy. 49 Frontage Rd.
Richland MS. 39218

TELEPHONE: 601-326-1700

CELL PHONE NUMBER: 601-613-4022

EMAIL: David.Cole @ SouthernPipe.com

David Cole 9-1-20
AUTHORIZED REPRESENTATIVE'S SIGNATURE DATE

David Cole
PRINT AUTHORIZED REPRESENTATIVE'S NAME HERE

NOTE: ALL BID SHEETS MUST BE SIGNED AND DATED BY AN AUTHORIZED COMPANY REPRESENTATIVE.

MADISON COUNTY BOARD OF SUPERVISORS

SPECIFICATION SUBMITTAL SHEET (NO PRICES)

TERM BID FOR PERIOD OCTOBER 1, 2020 – SEPTEMBER 30, 2021 24” Diameter by Foot – HDPE (Plastic Pipes) TO PICKED UP BY MADISON COUNTY

SPECIFICATION SUBMITTAL SHEET DEADLINE: SEPTEMBER 3, 2020 – 10:00 A.M.

Vendors' specification submittal sheet (with no prices) will be received until 10:00 A.M. on Thursday, September 3, 2020. Vendors may submit their specification submittal sheets using either of the two following methods:

1. Electronically at <http://www.madison-co.com/bids>.
2. In a sealed envelope to the Madison County Chancery Clerk's office located in the Madison County Chancery Courthouse, Rooms 225-228, 146 West North Street, Canton, MS 39046. Specification submittal sheets submitted in paper form must have "Term Bids Specifications" written on the outside of the sealed envelope.

Vendors' term bid specification submittal sheets will be evaluated and vendors submitting acceptable specifications will be invited by email to submit priced bids via a live electronic reverse auction or sealed paper bids.

Final bidding for term bids will be held by live electronic reverse auctions on Tuesday, September 9, 2020 beginning at 10:00 A.M., with a scheduled ending time of 11:00 A.M. Qualified vendors can access the live reverse auction via the links distributed by email to qualified vendors. Anti-sniping will be utilized for the live electronic reverse auctions, which means that the bid deadline countdown will automatically reset to 5 minutes anytime a bid is received within the final 5 minutes of the reverse auction. The anti-sniping tool can extend the bid deadline multiple times until no bid is received in the final five minutes of the reverse auction.

Sealed bids may be submitted to the Madison County Chancery Clerk's office located in the Madison County Chancery Courthouse, Rooms 225-228, 146 West North Street, Canton, MS 39046 until 10:00 A.M. on Thursday, September 3, 2020. Sealed bids received by 10:00 A.M. on Tuesday, September 9, 2020 will be entered in the live electronic reverse auction by the county purchasing department. All paper bids must have "Term Bid" and "24" Diameter by Foot – HDPE (Plastic Pipes) and written on the outside of the sealed envelope.

NOTE: ALL FEDERAL TAXES AND FEES SHALL BE INCLUDED IN BID PRICES. ALL BID PRICES ARE LIMITED TO DOLLARS AND CENTS ONLY. NO FRACTIONS OF A CENT.

For use in determining if a vendor's location excludes it from participating in the reverse auction and in our calculations of lowest and best bid, note here the number of miles from your company plant to the Madison County Road Department:

20 Miles

The below signed company agrees that if it is awarded a Term Bid by the Madison County Board of Supervisors for 24" Diameter by Foot – HDPE (Plastic Pipes) that it will provide said product in a timely manner at the awarded term bid price for the duration of said term bid period. The below signed company further agrees that it will not load quantities of 24" Diameter by Foot – HDPE (Plastic Pipes) on Madison County trucks in an amount greater than is listed on the purchase order for each specific order. Furthermore, the below signed company agrees that in the event that it does load quantities of 24" Diameter by Foot – HDPE (Plastic Pipes) in quantities greater than is listed on the purchase order for a specific order that that it will neither bill nor hold Madison County responsible for the quantity of 24" Diameter by Foot – HDPE (Plastic Pipes) that exceeds the purchase order amount.

COMPANY NAME: Southern Pipe Water & Sewer

ADDRESS: 354 US Hwy. 49 Frontage Rd.
Richland MS. 39218

TELEPHONE: 601 326-1700

CELL PHONE NUMBER: 601-613-4022

EMAIL: david.cole@SouthernPipe.com

David Cole 9-1-20
AUTHORIZED REPRESENTATIVE'S SIGNATURE DATE

David Cole
PRINT AUTHORIZED REPRESENTATIVE'S NAME HERE

NOTE: ALL BID SHEETS MUST BE SIGNED AND DATED BY AN AUTHORIZED COMPANY REPRESENTATIVE.

MADISON COUNTY BOARD OF SUPERVISORS

SPECIFICATION SUBMITTAL SHEET (NO PRICES)

TERM BID FOR PERIOD OCTOBER 1, 2020 – SEPTEMBER 30, 2021 30” Diameter by Foot – HDPE (Plastic Pipes) TO PICKED UP BY MADISON COUNTY

SPECIFICATION SUBMITTAL SHEET DEADLINE: SEPTEMBER 3, 2020 – 10:00 A.M.

Vendors' specification submittal sheet (with no prices) will be received until 10:00 A.M. on Thursday, September 3, 2020. Vendors may submit their specification submittal sheets using either of the two following methods:

1. Electronically at <http://www.madison-co.com/bids>.
2. In a sealed envelope to the Madison County Chancery Clerk's office located in the Madison County Chancery Courthouse, Rooms 225-228, 146 West North Street, Canton, MS 39046. Specification submittal sheets submitted in paper form must have "Term Bids Specifications" written on the outside of the sealed envelope.

Vendors' term bid specification submittal sheets will be evaluated and vendors submitting acceptable specifications will be invited by email to submit priced bids via a live electronic reverse auction or sealed paper bids.

Final bidding for term bids will be held by live electronic reverse auctions on Tuesday, September 9, 2020 beginning at 10:00 A.M., with a scheduled ending time of 11:00 A.M. Qualified vendors can access the live reverse auction via the links distributed by email to qualified vendors. Anti-sniping will be utilized for the live electronic reverse auctions, which means that the bid deadline countdown will automatically reset to 5 minutes anytime a bid is received within the final 5 minutes of the reverse auction. The anti-sniping tool can extend the bid deadline multiple times until no bid is received in the final five minutes of the reverse auction.

Sealed bids may be submitted to the Madison County Chancery Clerk's office located in the Madison County Chancery Courthouse, Rooms 225-228, 146 West North Street, Canton, MS 39046 until 10:00 A.M. on Thursday, September 3, 2020. Sealed bids received by 10:00 A.M. on Tuesday, September 9, 2020 will be entered in the live electronic reverse auction by the county purchasing department. All paper bids must have "Term Bid" and "30" Diameter by Foot – HDPE (Plastic Pipes)" and written on the outside of the sealed envelope.

NOTE: ALL FEDERAL TAXES AND FEES SHALL BE INCLUDED IN BID PRICES. ALL BID PRICES ARE LIMITED TO DOLLARS AND CENTS ONLY. NO FRACTIONS OF A CENT.

For use in determining if a vendor's location excludes it from participating in the reverse auction and in our calculations of lowest and best bid, note here the number of miles from your company plant to the Madison County Road Department:

20 Miles

The below signed company agrees that if it is awarded a Term Bid by the Madison County Board of Supervisors for 30" Diameter by Foot – HDPE (Plastic Pipes) that it will provide said product in a timely manner at the awarded term bid price for the duration of said term bid period. The below signed company further agrees that it will not load quantities of 30" Diameter by Foot – HDPE (Plastic Pipes) on Madison County trucks in an amount greater than is listed on the purchase order for each specific order. Furthermore, the below signed company agrees that in the event that it does load quantities of 30" Diameter by Foot – HDPE (Plastic Pipes) in quantities greater than is listed on the purchase order for a specific order that that it will neither bill nor hold Madison County responsible for the quantity of 30" Diameter by Foot – HDPE (Plastic Pipes) that exceeds the purchase order amount.

COMPANY NAME: Southern Pipe Water & Sewer

ADDRESS: 354 US Hwy. 49 Frontage Rd.
Richland MS. 39218

TELEPHONE: 601-326-1700

CELL PHONE NUMBER: 601-613-4022

EMAIL: David.Cole@SouthernPipe.com

David Cole 9-1-20
AUTHORIZED REPRESENTATIVE'S SIGNATURE DATE

David Cole
PRINT AUTHORIZED REPRESENTATIVE'S NAME HERE

NOTE: ALL BID SHEETS MUST BE SIGNED AND DATED BY AN AUTHORIZED COMPANY REPRESENTATIVE.

MADISON COUNTY BOARD OF SUPERVISORS

SPECIFICATION SUBMITTAL SHEET (NO PRICES)

TERM BID FOR PERIOD OCTOBER 1, 2020 – SEPTEMBER 30, 2021 24” BAND – HDPE (Plastic Pipes) TO PICKED UP BY MADISON COUNTY

SPECIFICATION SUBMITTAL SHEET DEADLINE: SEPTEMBER 3, 2020 – 10:00 A.M.

Vendors' specification submittal sheet (with no prices) will be received until 10:00 A.M. on Thursday, September 3, 2020. Vendors may submit their specification submittal sheets using either of the two following methods:

1. Electronically at <http://www.madison-co.com/bids>.
2. In a sealed envelope to the Madison County Chancery Clerk's office located in the Madison County Chancery Courthouse, Rooms 225-228, 146 West North Street, Canton, MS 39046. Specification submittal sheets submitted in paper form must have "Term Bids Specifications" written on the outside of the sealed envelope.

Vendors' term bid specification submittal sheets will be evaluated and vendors submitting acceptable specifications will be invited by email to submit priced bids via a live electronic reverse auction or sealed paper bids.

Final bidding for term bids will be held by live electronic reverse auctions on Tuesday, September 9, 2020 beginning at 10:00 A.M., with a scheduled ending time of 11:00 A.M. Qualified vendors can access the live reverse auction via the links distributed by email to qualified vendors. Anti-sniping will be utilized for the live electronic reverse auctions, which means that the bid deadline countdown will automatically reset to 5 minutes anytime a bid is received within the final 5 minutes of the reverse auction. The anti-sniping tool can extend the bid deadline multiple times until no bid is received in the final five minutes of the reverse auction.

Sealed bids may be submitted to the Madison County Chancery Clerk's office located in the Madison County Chancery Courthouse, Rooms 225-228, 146 West North Street, Canton, MS 39046 until 10:00 A.M. on Thursday, September 3, 2020. Sealed bids received by 10:00 A.M. on Tuesday, September 9, 2020 will be entered in the live electronic reverse auction by the county purchasing department. All paper bids must have "Term Bid" and "24" Band – HDPE (Plastic Pipes)" and written on the outside of the sealed envelope.

NOTE: ALL FEDERAL TAXES AND FEES SHALL BE INCLUDED IN BID PRICES. ALL BID PRICES ARE LIMITED TO DOLLARS AND CENTS ONLY. NO FRACTIONS OF A CENT.

For use in determining if a vendor's location excludes it from participating in the reverse auction and in our calculations of lowest and best bid, note here the number of miles from your company plant to the Madison County Road Department:

20 Miles

The below signed company agrees that if it is awarded a Term Bid by the Madison County Board of Supervisors for 24" Band – HDPE (Plastic Pipes) that it will provide said product in a timely manner at the awarded term bid price for the duration of said term bid period. The below signed company further agrees that it will not load quantities of 24" Band – HDPE (Plastic Pipes) on Madison County trucks in an amount greater than is listed on the purchase order for each specific order. Furthermore, the below signed company agrees that in the event that it does load quantities of 24" Band – HDPE (Plastic Pipes) in quantities greater than is listed on the purchase order for a specific order that that it will neither bill nor hold Madison County responsible for the quantity of 24" Band – HDPE (Plastic Pipes) that exceeds the purchase order amount.

COMPANY NAME: Southern Pipe Water & Sewer

ADDRESS: 354 US Hwy. 49 Frontage Rd.
Richland MS. 39218

TELEPHONE: 601-326-1700

CELL PHONE NUMBER: 601-613-4022

EMAIL: David.Cole@SouthernPipe.com

David Cole 9-1-20
AUTHORIZED REPRESENTATIVE'S SIGNATURE DATE

David Cole
PRINT AUTHORIZED REPRESENTATIVE'S NAME HERE

NOTE: ALL BID SHEETS MUST BE SIGNED AND DATED BY AN AUTHORIZED COMPANY REPRESENTATIVE.

MADISON COUNTY BOARD OF SUPERVISORS

SPECIFICATION SUBMITTAL SHEET (NO PRICES)

TERM BID FOR PERIOD OCTOBER 1, 2020 – SEPTEMBER 30, 2021 30” BAND – HDPE (Plastic Pipes) TO PICKED UP BY MADISON COUNTY

SPECIFICATION SUBMITTAL SHEET DEADLINE: SEPTEMBER 3, 2020 – 10:00 A.M.

Vendors' specification submittal sheet (with no prices) will be received until 10:00 A.M. on Thursday, September 3, 2020. Vendors may submit their specification submittal sheets using either of the two following methods:

1. Electronically at <http://www.madison-co.com/bids>.
2. In a sealed envelope to the Madison County Chancery Clerk's office located in the Madison County Chancery Courthouse, Rooms 225-228, 146 West North Street, Canton, MS 39046. Specification submittal sheets submitted in paper form must have "Term Bids Specifications" written on the outside of the sealed envelope.

Vendors' term bid specification submittal sheets will be evaluated and vendors submitting acceptable specifications will be invited by email to submit priced bids via a live electronic reverse auction or sealed paper bids.

Final bidding for term bids will be held by live electronic reverse auctions on Tuesday, September 9, 2020 beginning at 10:00 A.M., with a scheduled ending time of 11:00 A.M. Qualified vendors can access the live reverse auction via the links distributed by email to qualified vendors. Anti-sniping will be utilized for the live electronic reverse auctions, which means that the bid deadline countdown will automatically reset to 5 minutes anytime a bid is received within the final 5 minutes of the reverse auction. The anti-sniping tool can extend the bid deadline multiple times until no bid is received in the final five minutes of the reverse auction.

Sealed bids may be submitted to the Madison County Chancery Clerk's office located in the Madison County Chancery Courthouse, Rooms 225-228, 146 West North Street, Canton, MS 39046 until 10:00 A.M. on Thursday, September 3, 2020. Sealed bids received by 10:00 A.M. on Tuesday, September 9, 2020 will be entered in the live electronic reverse auction by the county purchasing department. All paper bids must have "Term Bid" and "30" Band – HDPE (Plastic Pipe)" and written on the outside of the sealed envelope.

NOTE: ALL FEDERAL TAXES AND FEES SHALL BE INCLUDED IN BID PRICES. ALL BID PRICES ARE LIMITED TO DOLLARS AND CENTS ONLY. NO FRACTIONS OF A CENT.

For use in determining if a vendor's location excludes it from participating in the reverse auction and in our calculations of lowest and best bid, note here the number of miles from your company plant to the Madison County Road Department:

20 Miles

The below signed company agrees that if it is awarded a Term Bid by the Madison County Board of Supervisors for 30" Band – HDPE (Plastic Pipes) that it will provide said product in a timely manner at the awarded term bid price for the duration of said term bid period. The below signed company further agrees that it will not load quantities of 30" Band – HDPE (Plastic Pipes) on Madison County trucks in an amount greater than is listed on the purchase order for each specific order. Furthermore, the below signed company agrees that in the event that it does load quantities of 30" Band - HDPE (Plastic Pipes) in quantities greater than is listed on the purchase order for a specific order that that it will neither bill nor hold Madison County responsible for the quantity of 30" Band – HDPE (Plastic Pipes) that exceeds the purchase order amount.

COMPANY NAME: Southern Pipe Water + Sewer

ADDRESS: 354 US Hwy. 49 Frontage Rd.

Richland MS. 39218

TELEPHONE: 601-326-1700

CELL PHONE NUMBER: 601-613-4022

EMAIL: David.Cole@SouthernPipe.com

David Cole 9-1-20
AUTHORIZED REPRESENTATIVE'S SIGNATURE DATE

David Cole
PRINT AUTHORIZED REPRESENTATIVE'S NAME HERE

NOTE: ALL BID SHEETS MUST BE SIGNED AND DATED BY AN AUTHORIZED COMPANY REPRESENTATIVE.

ADS N-12[®] ST IB PIPE (ASTM F2648) SPECIFICATION

Scope

This specification describes 4- through 60-inch (100 to 1500 mm) ADS N-12 ST IB pipe (per ASTM F2648) for use in gravity-flow land drainage applications.

Pipe Requirements

ADS N-12 ST IB pipe (per ASTM F2648) shall have a smooth interior and annular exterior corrugations.

- 4- through 60-inch (100 to 1500 mm) pipe shall meet ASTM F2648.
- Manning's "n" value for use in design shall be 0.012.

Joint Performance

Pipe shall be joined using a bell & spigot joint meeting ASTM F2648. The joint shall be soil-tight and gaskets, when applicable, shall meet the requirements of ASTM F477. Gaskets shall be installed by the pipe manufacturer and covered with a removable, protective wrap to ensure the gasket is free from debris. A joint lubricant available from the manufacturer shall be used on the gasket and bell during assembly.

Fittings

Fittings shall conform to ASTM F2306. Bell and spigot connections shall utilize a spun-on or welded bell and valley or saddle gasket meeting the soil-tight joint performance requirements of ASTM F2306.

Material Properties

Material for pipe production shall be an engineered compound of virgin and recycled high density polyethylene conforming with the minimum requirements of cell classification 424420C (ESCR Test Condition B) for 4- through 10-inch (100 to 250 mm) diameters, and 435420C (ESCR Test Condition B) for 12- through 60-inch (300 to 1500 mm) diameters, as defined and described in the latest version of ASTM D3350, except that carbon black content should not exceed 4%. The design engineer shall verify compatibility with overall system including structural, hydraulic, material, and installation requirements for a given application.

Installation

Installation shall be in accordance with ASTM D2321 and ADS recommended installation guidelines, with the exception that minimum cover in trafficked areas for 4- through 48-inch (100 to 1200 mm) diameters shall be one foot. (0.3 m) and for 60-inch (1500 mm) diameter the minimum cover shall be 2 ft. (0.6 m) in single run applications. Backfill for minimum cover situations shall consist of Class 1 (compacted) or Class 2 (minimum 90% SPD) material. Maximum fill heights depend on embedment material and compaction level; please refer to Technical Note 2.02. Contact your local ADS representative or visit our website at www.ads-pipe.com for a copy of the latest installation guidelines.

Pipe Dimensions

	Nominal Diameter, in (mm)												
Pipe I.D. in (mm)	4 (100)	6 (150)	8 (200)	10 (250)	12 (300)	15 (375)	18 (450)	24 (600)	30 (750)	36 (900)	42 (1050)	48 (1200)	60 (1500)
Pipe O.D.* in (mm)	4.8 (122)	6.9 (175)	9.1 (231)	11.4 (290)	14.5 (368)	18 (457)	22 (559)	28 (711)	36 (914)	42 (1067)	48 (1219)	54 (1372)	67 (1702)

*Pipe O.D. values are provided for reference purposes only, values stated for 12 through 60-inch are ±1 inch. Contact a sales representative for exact values

**All diameters available with or without perforations.

ADS N-12® ST IB PIPE (PER AASHTO) SPECIFICATION

Scope

This specification describes 4- through 60-inch (100 to 1500 mm) ADS N-12 ST IB pipe (per AASHTO) for use in gravity-flow land drainage applications.

Pipe Requirements

ADS N-12 ST IB pipe (per AASHTO) shall have a smooth interior and annular exterior corrugations.

- 4- through 10-inch (100 to 250 mm) pipe shall meet AASHTO M252, Type S or SP.
- 12- through 60-inch (300 to 1500 mm) pipe shall meet AASHTO M294, Type S or SP, or ASTM F2306.
- Manning's "n" value for use in design shall be 0.012.

Joint Performance

Pipe shall be joined using a bell & spigot joint meeting the requirements of AASHTO M252, AASHTO M294, or ASTM F2306. The joint shall be soil-tight and gaskets, when applicable, shall meet the requirements of ASTM F477. Gaskets shall be installed by the pipe manufacturer and covered with a removable, protective wrap to ensure the gasket is free from debris. A joint lubricant available from the manufacturer shall be used on the gasket and bell during assembly.

Fittings

Fittings shall conform to AASHTO M252, AASHTO M294, or ASTM F2306. Bell and spigot connections shall utilize a spun-on or welded bell and valley or saddle gasket meeting the soil-tight joint performance requirements of AASHTO M252, AASHTO M294, or ASTM F2306.

Material Properties

Virgin material for pipe and fitting production shall be high density polyethylene conforming with the minimum requirements of cell classification 424420C for 4- through 10-inch (100 to 250 mm) diameters, and 435400C for 12- through 60-inch (300 to 1500 mm) diameters, as defined and described in the latest version of ASTM D3350, except that carbon black content should not exceed 4%. The 12- through 60-inch (300 to 1500 mm) virgin pipe material shall comply with the notched constant ligament-stress (NCLS) test as specified in Sections 9.5 and 5.1 of AASHTO M294 and ASTM F2306, respectively.

Installation

Installation shall be in accordance with ASTM D2321 and ADS recommended installation guidelines, with the exception that minimum cover in trafficked areas for 4- through 48-inch (100 to 1200 mm) diameters shall be one foot. (0.3 m) and for 60-inch (1500 mm) diameter the minimum cover shall be 2 ft. (0.6 m) in single run applications. Backfill for minimum cover situations shall consist of Class 1 (compacted), Class 2 (minimum 90% SPD) or Class 3 (minimum 95% SPD) material. Maximum fill heights depend on embedment material and compaction level; please refer to Technical Note 2.01. Contact your local ADS representative or visit our website at www.ads-pipe.com for a copy of the latest installation guidelines.

Pipe Dimensions

	Nominal Diameter, in (mm)												
Pipe I.D. in (mm)	4 (100)	6 (150)	8 (200)	10 (250)	12 (300)	15 (375)	18 (450)	24 (600)	30 (750)	36 (900)	42 (1050)	48 (1200)	60 (1500)
Pipe O.D.* in (mm)	4.8 (122)	6.9 (175)	9.1 (231)	11.4 (290)	14.5 (368)	18 (457)	22 (559)	28 (711)	36 (914)	42 (1067)	48 (1219)	54 (1372)	67 (1702)

*Pipe O.D. values are provided for reference purposes only, values stated for 12 through 60-inch are ±1 inch. Contact a sales representative for exact values
 **All diameters available with or without perforations.

ADS HP STORM 12"- 60" PIPE SPECIFICATION

Scope

This specification describes 12- through 60-inch (300 to 1500 mm) ADS HP Storm pipe for use in gravity-flow storm drainage applications.

Pipe Requirements

ADS HP Storm pipe shall have a smooth interior and annular exterior corrugations.

- 12- through 60-inch (300 to 1500 mm) pipe shall meet ASTM F2881 or AASHTO M330
- Manning's "n" value for use in design shall be 0.012

Joint Performance

Pipe shall be joined using a bell & spigot joint meeting the requirements of ASTM F2881 or AASHTO M330. The joint shall be watertight according to the requirements of ASTM D3212. Gaskets shall meet the requirements of ASTM F477. Gasket shall be installed by the pipe manufacturer and covered with a removable, protective wrap to ensure the gasket is free from debris. A joint lubricant available from the manufacturer shall be used on the gasket and bell during assembly. 12- through 60-inch (300 to 1500 mm) diameters shall have an exterior bell wrap installed by the manufacturer.

Fittings

Fittings shall conform to ASTM F2881 or AASHTO M330. Bell and spigot connections shall utilize a welded or integral bell and valley or inline gaskets meeting the watertight joint performance requirements of ASTM D3212.

Field Pipe and Joint Performance

To assure watertightness, field performance verification may be accomplished by testing in accordance with ASTM F1417 or ASTM F2487. Appropriate safety precautions must be used when field-testing any pipe material. Contact the manufacturer for recommended leakage rates.

Material Properties

Polypropylene compound for pipe and fitting production shall be impact modified copolymer meeting the material requirements of ASTM F2881, Section 5 and AASHTO M330, Section 6.1.

Installation

Installation shall be in accordance with ASTM D2321 and ADS recommended installation guidelines, with the exception that minimum cover in traffic areas for 12- through 48-inch (300 to 1200 mm) diameters shall be one foot (0.3 m) and for 60-inch (1500 mm) diameter the minimum cover shall be 2 ft. (0.6 m) in single run applications. Backfill for minimum cover situations shall consist of Class 1 (compacted), Class 2 (minimum 90% SPD), or Class 3 (minimum 95%) material. Maximum fill heights depend on embedment material and compaction level; please refer to Technical Note 2.04. Contact your local ADS representative or visit our website at www.ads-pipe.com for a copy of the latest installation guidelines.

Pipe Dimensions

Nominal Pipe I.D. in (mm)	12 (300)	15 (375)	18 (450)	24 (600)	30 (750)	36 (900)	42 (1050)	48 (1200)	60 (1500)
Average Pipe I.D. in (mm)	12.2 (310)	15.1 (384)	18.2 (462)	24.1 (612)	30.2 (767)	36.0 (914)	42.0 (1067)	47.9 (1217)	59.9 (1521)
Average Pipe O.D. in (mm)	14.5 (368)	17.7 (450)	21.4 (544)	28.0 (711)	35.5 (902)	41.5 (1054)	47.4 (1204)	54.1 (1374)	67.1 (1704)
Minimum Pipe Stiffness * @ 5% Deflection #in./in. (kN/m ²)	75 (517)	60 (414)	56 (386)	50 (345)	46 (317)	40 (276)	35 (241)	35 (241)	30 (207)

*Minimum pipe stiffness values listed; contact a representative for average values.

SOUTHERN PIPE & SUPPLY CO., INC.
354 U S HWY 49 FRONTAGE ROAD
RICHLAND, MS 39218

1:35 p.m.
F I L L E D
MADISON COUNTY

SEP 01 2020

RONNY LOTTE, CHANCERY CLERK
BY *R. M. Lott* J.D.C.

TERM Bid Specifications
Aluminized CMP (Pipe)

MADISON COUNTY BOARD OF SUPERVISORS

SPECIFICATION SUBMITTAL SHEET (NO PRICES)

TERM BID FOR PERIOD OCTOBER 1, 2020 – SEPTEMBER 30, 2021 24” Diameter by Foot – Aluminized CMP (Pipes)(14 Gauge Type 2) TO PICKED UP BY MADISON COUNTY

SPECIFICATION SUBMITTAL SHEET DEADLINE: SEPTEMBER 3, 2020 – 10:00 A.M.

Vendors' specification submittal sheet (with no prices) will be received until 10:00 A.M. on Thursday, September 3, 2020. Vendors may submit their specification submittal sheets using either of the two following methods:

1. Electronically at <http://www.madison-co.com/bids>.
2. In a sealed envelope to the Madison County Chancery Clerk's office located in the Madison County Chancery Courthouse, Rooms 225-228, 146 West North Street, Canton, MS 39046. Specification submittal sheets submitted in paper form must have "Term Bids Specifications" written on the outside of the sealed envelope.

Vendors' term bid specification submittal sheets will be evaluated and vendors submitting acceptable specifications will be invited by email to submit priced bids via a live electronic reverse auction or sealed paper bids.

Final bidding for term bids will be held by live electronic reverse auctions on Tuesday, September 9, 2020 beginning at 10:00 A.M., with a scheduled ending time of 11:00 A.M. Qualified vendors can access the live reverse auction via the links distributed by email to qualified vendors. Anti-sniping will be utilized for the live electronic reverse auctions, which means that the bid deadline countdown will automatically reset to 5 minutes anytime a bid is received within the final 5 minutes of the reverse auction. The anti-sniping tool can extend the bid deadline multiple times until no bid is received in the final five minutes of the reverse auction.

Sealed bids may be submitted to the Madison County Chancery Clerk's office located in the Madison County Chancery Courthouse, Rooms 225-228, 146 West North Street, Canton, MS 39046 until 10:00 A.M. on Thursday, September 3, 2020. Sealed bids received by 10:00 A.M. on Tuesday, September 9, 2020 will be entered in the live electronic reverse auction by the county purchasing department. All paper bids must have "Term Bid" and "24" Diameter by Foot – Aluminized CMP (Pipes) (14 Gauge Type 2)" and written on the outside of the sealed envelope.

NOTE: ALL FEDERAL TAXES AND FEES SHALL BE INCLUDED IN BID PRICES. ALL BID PRICES ARE LIMITED TO DOLLARS AND CENTS ONLY. NO FRACTIONS OF A CENT.

For use in determining if a vendor's location excludes it from participating in the reverse auction and in our calculations of lowest and best bid, note here the number of miles from your company plant to the Madison County Road Department:

20 Miles

The below signed company agrees that if it is awarded a Term Bid by the Madison County Board of Supervisors for 24" Diameter by Foot – Aluminized CMP (Pipes) (14 Gauge Type 2) that it will provide said product in a timely manner at the awarded term bid price for the duration of said term bid period. The below signed company further agrees that it will not load quantities of 24" Diameter by Foot – Aluminized CMP (Pipes) (14 Gauge Type 2) on Madison County trucks in an amount greater than is listed on the purchase order for each specific order. Furthermore, the below signed company agrees that in the event that it does load quantities of 24" Diameter by Foot – Aluminized CMP (Pipes) (14 Gauge Type 2) in quantities greater than is listed on the purchase order for a specific order that that it will neither bill nor hold Madison County responsible for the quantity of 24" Diameter by Foot – Aluminized CMP (Pipes) (14 Gauge Type 2) that exceeds the purchase order amount.

COMPANY NAME: Southern Pipe Water & Sewer

ADDRESS: 354 US Hwy. 49 Frontage Rd.
Richland MS. 39218

TELEPHONE: 601-326-1700

CELL PHONE NUMBER: 601-613-4022

EMAIL: david.cole @ Southern Pipe. com

David Cole 9-1-20
AUTHORIZED REPRESENTATIVE'S SIGNATURE DATE

David Cole
PRINT AUTHORIZED REPRESENTATIVE'S NAME HERE

NOTE: ALL BID SHEETS MUST BE SIGNED AND DATED BY AN AUTHORIZED COMPANY REPRESENTATIVE.

MADISON COUNTY BOARD OF SUPERVISORS

SPECIFICATION SUBMITTAL SHEET (NO PRICES)

**TERM BID FOR PERIOD OCTOBER 1, 2020 – SEPTEMBER 30, 2021
30” Diameter by Foot – Aluminized CMP (Pipes) (14 Gauge Type 2)
TO PICKED UP BY MADISON COUNTY**

SPECIFICATION SUBMITTAL SHEET DEADLINE: SEPTEMBER 3, 2020 – 10:00 A.M.

Vendors' specification submittal sheet (with no prices) will be received until 10:00 A.M. on Thursday, September 3, 2020. Vendors may submit their specification submittal sheets using either of the two following methods:

1. Electronically at <http://www.madison-co.com/bids>.
2. In a sealed envelope to the Madison County Chancery Clerk's office located in the Madison County Chancery Courthouse, Rooms 225-228, 146 West North Street, Canton, MS 39046. Specification submittal sheets submitted in paper form must have "Term Bids Specifications" written on the outside of the sealed envelope.

Vendors' term bid specification submittal sheets will be evaluated and vendors submitting acceptable specifications will be invited by email to submit priced bids via a live electronic reverse auction or sealed paper bids.

Final bidding for term bids will be held by live electronic reverse auctions on Tuesday, September 9, 2020 beginning at 10:00 A.M., with a scheduled ending time of 11:00 A.M. Qualified vendors can access the live reverse auction via the links distributed by email to qualified vendors. Anti-sniping will be utilized for the live electronic reverse auctions, which means that the bid deadline countdown will automatically reset to 5 minutes anytime a bid is received within the final 5 minutes of the reverse auction. The anti-sniping tool can extend the bid deadline multiple times until no bid is received in the final five minutes of the reverse auction.

Sealed bids may be submitted to the Madison County Chancery Clerk's office located in the Madison County Chancery Courthouse, Rooms 225-228, 146 West North Street, Canton, MS 39046 until 10:00 A.M. on Thursday, September 3, 2020. Sealed bids received by 10:00 A.M. on Tuesday, September 9, 2020 will be entered in the live electronic reverse auction by the county purchasing department. All paper bids must have "Term Bid" and "30" Diameter by Foot- Aluminized CMP (Pipes) (14 Gauge Type 2) and written on the outside of the sealed envelope.

NOTE: ALL FEDERAL TAXES AND FEES SHALL BE INCLUDED IN BID PRICES. ALL BID PRICES ARE LIMITED TO DOLLARS AND CENTS ONLY. NO FRACTIONS OF A CENT.

For use in determining if a vendor's location excludes it from participating in the reverse auction and in our calculations of lowest and best bid, note here the number of miles from your company plant to the Madison County Road Department:

20 Miles

The below signed company agrees that if it is awarded a Term Bid by the Madison County Board of Supervisors for "30" Diameter by Foot- Aluminized CMP (Pipes) (14 Gauge Type 2) that it will provide said product in a timely manner at the awarded term bid price for the duration of said term bid period. The below signed company further agrees that it will not load quantities of "30" Diameter by Foot- Aluminized CMP (Pipes) (14 Gauge Type 2) on Madison County trucks in an amount greater than is listed on the purchase order for each specific order. Furthermore, the below signed company agrees that in the event that it does load quantities of "30" Diameter by Foot- Aluminized CMP (Pipes) (14 Gauge Type 2) by Foot in quantities greater than is listed on the purchase order for a specific order that that it will neither bill nor hold Madison County responsible for the quantity of "30" Diameter by Foot- Aluminized CMP (Pipes) (14 Gauge Type 2) that exceeds the purchase order amount.

COMPANY NAME: Southern Pipe Water & Sewer

ADDRESS: 354 US Hwy 49 Frontage Rd.
Richland MS. 39218

TELEPHONE: 601-326-1700

CELL PHONE NUMBER: 601-613-4022

EMAIL: David.Cole @ SouthernPipe . com

David Cole 9-1-20
AUTHORIZED REPRESENTATIVE'S SIGNATURE DATE

David Cole
PRINT AUTHORIZED REPRESENTATIVE'S NAME HERE

NOTE: ALL BID SHEETS MUST BE SIGNED AND DATED BY AN AUTHORIZED COMPANY REPRESENTATIVE.

MADISON COUNTY BOARD OF SUPERVISORS

SPECIFICATION SUBMITTAL SHEET (NO PRICES)

TERM BID FOR PERIOD OCTOBER 1, 2020 – SEPTEMBER 30, 2021 24” Band – Aluminized CMP (Pipes) (14 Gauge Type 2) TO PICKED UP BY MADISON COUNTY

SPECIFICATION SUBMITTAL SHEET DEADLINE: SEPTEMBER 3, 2020 – 10:00 A.M.

Vendors' specification submittal sheet (with no prices) will be received until 10:00 A.M. on Thursday, September 3, 2020. Vendors may submit their specification submittal sheets using either of the two following methods:

1. Electronically at <http://www.madison-co.com/bids>.
2. In a sealed envelope to the Madison County Chancery Clerk's office located in the Madison County Chancery Courthouse, Rooms 225-228, 146 West North Street, Canton, MS 39046. Specification submittal sheets submitted in paper form must have "Term Bids Specifications" written on the outside of the sealed envelope.

Vendors' term bid specification submittal sheets will be evaluated and vendors submitting acceptable specifications will be invited by email to submit priced bids via a live electronic reverse auction or sealed paper bids.

Final bidding for term bids will be held by live electronic reverse auctions on Tuesday, September 9, 2020 beginning at 10:00 A.M., with a scheduled ending time of 11:00 A.M. Qualified vendors can access the live reverse auction via the links distributed by email to qualified vendors. Anti-sniping will be utilized for the live electronic reverse auctions, which means that the bid deadline countdown will automatically reset to 5 minutes anytime a bid is received within the final 5 minutes of the reverse auction. The anti-sniping tool can extend the bid deadline multiple times until no bid is received in the final five minutes of the reverse auction.

Sealed bids may be submitted to the Madison County Chancery Clerk's office located in the Madison County Chancery Courthouse, Rooms 225-228, 146 West North Street, Canton, MS 39046 until 10:00 A.M. on Thursday, September 3, 2020. Sealed bids received by 10:00 A.M. on Tuesday, September 9, 2020 will be entered in the live electronic reverse auction by the county purchasing department. All paper bids must have "Term Bid" and "24" Band - Aluminized CMP (Pipes) (14 Gauge Type 2) and written on the outside of the sealed envelope.

2 **NOTE: ALL FEDERAL TAXES AND FEES SHALL BE INCLUDED IN BID PRICES. ALL BID PRICES ARE LIMITED TO DOLLARS AND CENTS ONLY. NO FRACTIONS OF A CENT.**

For use in determining if a vendor's location excludes it from participating in the reverse auction and in our calculations of lowest and best bid, note here the number of miles from your company plant to the Madison County Road Department:

20 Miles

The below signed company agrees that if it is awarded a Term Bid by the Madison County Board of Supervisors for "24" Band - Aluminized CMP (Pipes) (14 Gauge Type 2) that it will provide said product in a timely manner at the awarded term bid price for the duration of said term bid period. The below signed company further agrees that it will not load quantities of "24" Band - Aluminized CMP (Pipes) (14 Gauge Type 2) on Madison County trucks in an amount greater than is listed on the purchase order for each specific order. Furthermore, the below signed company agrees that in the event that it does load quantities of "24" Band - Aluminized CMP (Pipes) (14 Gauge Type 2) by Foot in quantities greater than is listed on the purchase order for a specific order that that it will neither bill nor hold Madison County responsible for the quantity of "24" Band - Aluminized CMP (Pipes) (14 Gauge Type 2) that exceeds the purchase order amount.

COMPANY NAME: Southern Pipe Water & Sewer

ADDRESS: 354 US Hwy. 49 Frontage Rd.
Richland MS. 39218

TELEPHONE: 601-326-1700

CELL PHONE NUMBER: 601-613-4022

EMAIL: David.Cole @ Southern Pipe . com

David Cole 9-1-20
AUTHORIZED REPRESENTATIVE'S SIGNATURE DATE

David Cole
PRINT AUTHORIZED REPRESENTATIVE'S NAME HERE

NOTE: ALL BID SHEETS MUST BE SIGNED AND DATED BY AN AUTHORIZED COMPANY REPRESENTATIVE.

NOTE: ALL FEDERAL TAXES AND FEES SHALL BE PAID BY BIDDER.
BIDDERS ARE LIMITED TO ONE BID ONLY.
THE BIDDING OF A BID

For use in determining if a vendor's location qualifies it for awarding in the
award process and in our calculation of a bid and the bid date (see the number
of miles from your company plant to the Madison County Board Department
Office)

The below signed company agrees that if it is awarded a Firm Bid by the Madison
County Board of Supervisors for "24" Band - Aluminum (14 Gauge) (14 Gauge)
Type 2) that it will provide this product in a timely manner in the awarded firm bid
order for the duration of said firm bid period. The below signed company further
agrees that it will not load quantities of "24" Band - Aluminum (14 Gauge) (14
Gauge) Type 2) on Madison County trucks in an amount greater than is listed on the
purchase order for each specific order. Furthermore, the below signed company
agrees that in the event that it does load quantities of "24" Band - Aluminum (14
Gauge) (14 Gauge) Type 2) by force in quantities greater than is listed on the purchase
order for a specific order that it will neither bill nor hold Madison County
responsible for the quantity of "24" Band - Aluminum (14 Gauge) (14 Gauge) Type
2) that exceeds the purchase order amount.

COMPANY NAME: Greenway Air Services
ADDRESS: 1000 W. Main St. P.O. Box 1000
Madison, MS 39101
TELEPHONE: 601-928-1111
CALL PHONE NUMBER: 601-928-1111
EMAIL: info@greenwayair.com
AUTHORIZED REPRESENTATIVE'S SIGNATURE: [Signature]
DATE: 10/10/11

PRINT AUTHORIZED REPRESENTATIVE'S NAME HERE
NOTE: ALL BID SHEETS MUST BE SIGNED AND DATED BY AN AUTHORIZED
COMPANY REPRESENTATIVE.

MADISON COUNTY BOARD OF SUPERVISORS

SPECIFICATION SUBMITTAL SHEET (NO PRICES)

TERM BID FOR PERIOD OCTOBER 1, 2020 – SEPTEMBER 30, 2021 30” Band – Aluminized CMP (Pipes) (14 Gauge Type 2) TO PICKED UP BY MADISON COUNTY

SPECIFICATION SUBMITTAL SHEET DEADLINE: SEPTEMBER 3, 2020 – 10:00 A.M.

Vendors' specification submittal sheet (with no prices) will be received until 10:00 A.M. on Thursday, September 3, 2020. Vendors may submit their specification submittal sheets using either of the two following methods:

1. Electronically at <http://www.madison-co.com/bids>.
2. In a sealed envelope to the Madison County Chancery Clerk's office located in the Madison County Chancery Courthouse, Rooms 225-228, 146 West North Street, Canton, MS 39046. Specification submittal sheets submitted in paper form must have "Term Bids Specifications" written on the outside of the sealed envelope.

Vendors' term bid specification submittal sheets will be evaluated and vendors submitting acceptable specifications will be invited by email to submit priced bids via a live electronic reverse auction or sealed paper bids.

Final bidding for term bids will be held by live electronic reverse auctions on Tuesday, September 9, 2020 beginning at 10:00 A.M., with a scheduled ending time of 11:00 A.M. Qualified vendors can access the live reverse auction via the links distributed by email to qualified vendors. Anti-sniping will be utilized for the live electronic reverse auctions, which means that the bid deadline countdown will automatically reset to 5 minutes anytime a bid is received within the final 5 minutes of the reverse auction. The anti-sniping tool can extend the bid deadline multiple times until no bid is received in the final five minutes of the reverse auction.

Sealed bids may be submitted to the Madison County Chancery Clerk's office located in the Madison County Chancery Courthouse, Rooms 225-228, 146 West North Street, Canton, MS 39046 until 10:00 A.M. on Thursday, September 3, 2020. Sealed bids received by 10:00 A.M. on Tuesday, September 9, 2020 will be entered in the live electronic reverse auction by the county purchasing department. All paper bids must have "Term Bid" and "30 Band" - Aluminized CMP (Pipes) (14 Gauge Type 2) and written on the outside of the sealed envelope.

WISCONSIN COUNTY BOARD OF SUPERVISORS

SPECIFICATION SUBMITTAL SHEET
(NO BIDS)

TOTAL BID FOR PERIOD OCTOBER 1, 2020 - SEPTEMBER 30, 2021
"30" Band - Aluminum (CWP) (Type 2)
TO BE PURCHASED BY WISCONSIN COUNTY

SPECIFICATION SUBMITTAL SHEET
HEADLINE: SEPTEMBER 3, 2020 - 10:00 A.M.

Vendor's specification submittal sheet (with no price) will be received until 10:00 A.M. on Thursday, September 3, 2020. Vendor may submit their specification submittal sheet using a list of the two following methods:

1. Electronically in PDF format and sealed envelope.
2. In a sealed envelope to the Madison County Charter Office located in the Madison County Charter Conference Room, 225-227 1/2 West North Street, Madison, WI 53704. Specification submittal sheet to be submitted in paper form must have "1 and 2 Bid Specifications" written on the outside of the sealed envelope.

Vendor's form bid specification submittal sheet will be evaluated and vendor's electronic specification submittal sheet will be entered by email. A submittal sheet via a five electronic reverse auction or sealed paper bids.

Final bidding for this bid will be held by five electronic reverse auction on Thursday, September 3, 2020 beginning at 10:00 A.M. with a scheduled ending time of 1:00 P.M. Sealed bids may be submitted via the five reverse auction or via the five electronic reverse auction. And submittal will be utilized for the five electronic reverse auction. Which means that the bid deadline and submittal will automatically occur at 10:00 A.M. anytime a bid is received within the final 5 minutes of the reverse auction. The submittal and bid can extend the bid deadline multiple times until a bid is received in the final five minutes of the reverse auction.

Sealed bids may be submitted to the Madison County Charter Office located in the Madison County Charter Conference Room, 225-227 1/2 West North Street, Madison, WI 53704 and 10:00 A.M. on Thursday, September 3, 2020. Sealed bids received by 10:00 A.M. on Thursday, September 3, 2020 will be opened in the five electronic reverse auction by the county purchasing department. All paper bids must have "1 and 2 Bid" and "30 Band" - Aluminum (CWP) (Type 2) and written on the inside of the sealed envelope.

NOTE: ALL FEDERAL TAXES AND FEES SHALL BE INCLUDED IN BID PRICES. ALL BID PRICES ARE LIMITED TO DOLLARS AND CENTS ONLY. NO FRACTIONS OF A CENT.

For use in determining if a vendor's location excludes it from participating in the reverse auction and in our calculations of lowest and best bid, note here the number of miles from your company plant to the Madison County Road Department:

20 Miles

The below signed company agrees that if it is awarded a Term Bid by the Madison County Board of Supervisors for "30" Band - Aluminized CMP (Pipes) (14 Gauge Type 2) that it will provide said product in a timely manner at the awarded term bid price for the duration of said term bid period. The below signed company further agrees that it will not load quantities of "30" Band - Aluminized CMP (Pipes) (14 Gauge Type 2) on Madison County trucks in an amount greater than is listed on the purchase order for each specific order. Furthermore, the below signed company agrees that in the event that it does load quantities of "30" Band- Aluminized CMP (Pipes) (14 Gauge Type 2) by Foot in quantities greater than is listed on the purchase order for a specific order that that it will neither bill nor hold Madison County responsible for the quantity of "30" Band - Aluminized CMP (Pipes) (14 Gauge Type 2) that exceeds the purchase order amount.

COMPANY NAME: Southern Pipe Water & Sewer

ADDRESS: 354 US Hwy. 49 Frontage Rd.
Richland MS. 39218

TELEPHONE: 601-326-1700

CELL PHONE NUMBER: 601-613-4022

EMAIL: david.cole@SouthernPipe.com

David Cole 9-1-20
AUTHORIZED REPRESENTATIVE'S SIGNATURE DATE

David Cole
PRINT AUTHORIZED REPRESENTATIVE'S NAME HERE

NOTE: ALL BID SHEETS MUST BE SIGNED AND DATED BY AN AUTHORIZED COMPANY REPRESENTATIVE.

NOTES:

- 1.) MATERIAL PER SPECIFICATION
ASTM A929 FOR GALVANIZED OR
ALUMINIZED STEEL & ASTM A742
FOR POLYMER COATED STEEL.

- 2.) PIPE IS SUBJECT TO TOLERANCES
AS NOTED IN SPECIFICATIONS
AASHTO M36 AND ASTM A760. THE
AVERAGE INSIDE DIAMETER SHALL
NOT VARY FROM THE NOMINAL
DIAMETER BY MORE THAN 1/2" FOR
PIPES 12" THROUGH 48" AND NO
MORE THAN 1% OF THE NOMINAL
DIAMETER FOR PIPES LARGER
THAN 48"Ø.

- 3.) THE AVERAGE OUTSIDE DIAMETER
IS EQUAL TO THE AVERAGE INSIDE
DIAMETER (PER ABOVE), PLUS TWO
TIMES THE CORRUGATION DEPTH,
PLUS TWO TIMES THE METAL
THICKNESS.

PIPE DATA

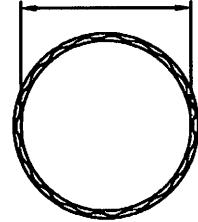
NOMINAL DIA:

GAGE:

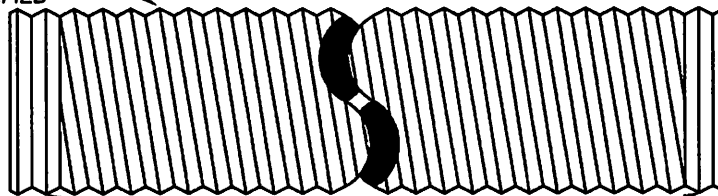
COATING:

CORRUGATION PROFILE:

INSIDE NOMINAL
DIAMETER
AS SPECIFIED



HEL-COR CORRUGATED
STEEL PIPE. PROFILE,
COATING & GAGE
AS SPECIFIED



REROLLED ENDS OPTIONAL

Total Amount or Length Needed (B.O.M.):

CONTRACT



HEL-COR - CORRUGATED STEEL PIPE
30" Diameter 14ga Aluminized Type 2 - 2/2-3"x1/2" Corrugation
Greenville, MS

9025 Centre Pointe Dr., Suite 400, West Chester, OH 45069
800-338-1122 513-645-7000 513-645-7993 FAX

DATE: 12/01/09	SCALE: NONE	PROJECT No.: 400100	SEQ. No.: 001	DRAWN: ASAP	CHECKED:
----------------	-------------	---------------------	---------------	-------------	----------

Z:\CAD DATA\DRAINAGE DETAILS\CUP-ROUND SHAPE FORM\UPDATED 12-01-09\CUP-ROUND SHAPE FORM-HEL-COR (12-01-09).DWG 12/1/2009 9:13 AM

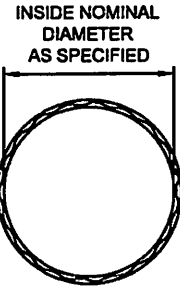
NOTES:

- 1.) MATERIAL PER SPECIFICATION
ASTM A929 FOR GALVANIZED OR
ALUMINIZED STEEL & ASTM A742
FOR POLYMER COATED STEEL.

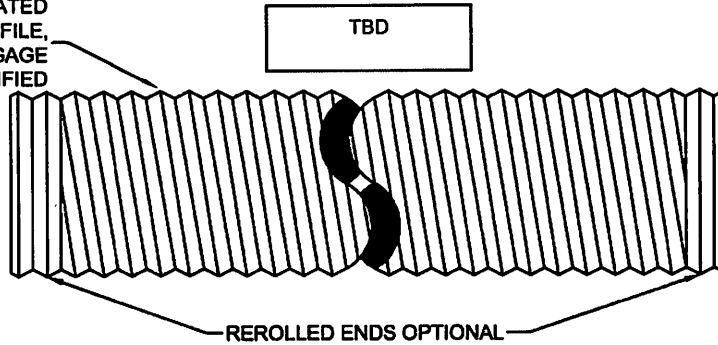
- 2.) PIPE IS SUBJECT TO TOLERANCES
AS NOTED IN SPECIFICATIONS
AASHTO M36 AND ASTM A760. THE
AVERAGE INSIDE DIAMETER SHALL
NOT VARY FROM THE NOMINAL
DIAMETER BY MORE THAN 1/2" FOR
PIPES 12" THROUGH 48" AND NO
MORE THAN 1% OF THE NOMINAL
DIAMETER FOR PIPES LARGER
THAN 48"Ø.

- 3.) THE AVERAGE OUTSIDE DIAMETER
IS EQUAL TO THE AVERAGE INSIDE
DIAMETER (PER ABOVE), PLUS TWO
TIMES THE CORRUGATION DEPTH,
PLUS TWO TIMES THE METAL
THICKNESS.

PIPE DATA	
NOMINAL DIA:	24"
GAGE:	14
COATING:	Aluminized Type 2
CORRUGATION PROFILE:	2 2/3" X 1/2"



HEL-COR CORRUGATED
STEEL PIPE. PROFILE,
COATING & GAGE
AS SPECIFIED



Total Amount or Length Needed (B.O.M.): TBD

CONTRACT



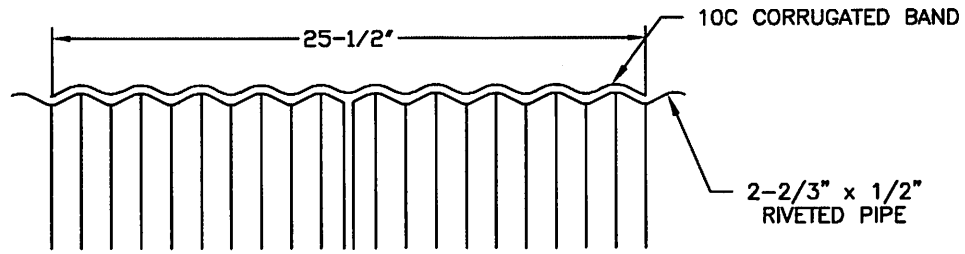
HEL-COR - CORRUGATED STEEL PIPE
24" Diameter 14ga Aluminized Type 2 - 2/2-3"x1/2" Corrugation
Greenville, MS

9025 Centre Pointe Dr., Suite 400, West Chester, OH 45069

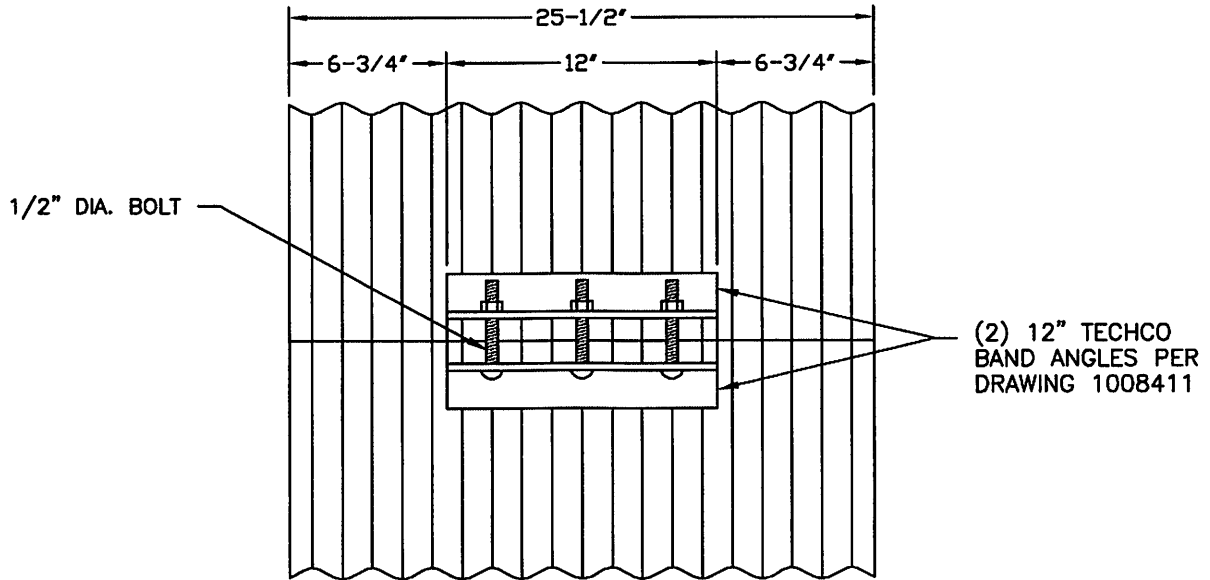
800-338-1122 513-645-7000 513-645-7993 FAX

DATE: 12/01/09	SCALE: NONE	PROJECT No.: 400100	SEQ. No.: 001	DRAWN: ASAP	CHECKED:
----------------	-------------	---------------------	---------------	-------------	----------

Z:\CAD\DRAINAGE\DETAILS\CIP-ROUND SHAPE FOR\UPDATED 12-01-09\CIP-ROUND SHAPE FOR\HEL-COR (12-01-09).DWG 12/1/2009 6:13 AM



SECTION



CONNECTION DETAIL

GENERAL NOTES:

1. Refer to CONTECH Band Selection Guide for band width, gage, and fastener types.
2. Bands for pipe-arch are the same as for equivalent diameter round pipe.
3. Bands are normally furnished as follows:

12" thru 48"	1 - Piece
54" thru 96"	2 - Pieces
4. Band fasteners are attached with spot welds, rivets, or hand welds.
5. Dimensions are subject to manufacturing tolerances.

CORRUGATIONS

2-2/3" x 1/2"

PIPE PRODUCTS

GALVANIZED
ALUMINIZED
BITUMINOUS COATED
FIBER-BONDED
ALUMINUM



© COPYRIGHT

10-C CORRUGATED BAND
WITH 12" TECHCO ANGLE
2-2/3" x 1/2" RIVETED PIPE

DRAWN BY: T.R.T.	REV. BY: J.D.S.	SCALE: N/A
DATE: 9-22-94	DATE: 9-27-98	1009354C